



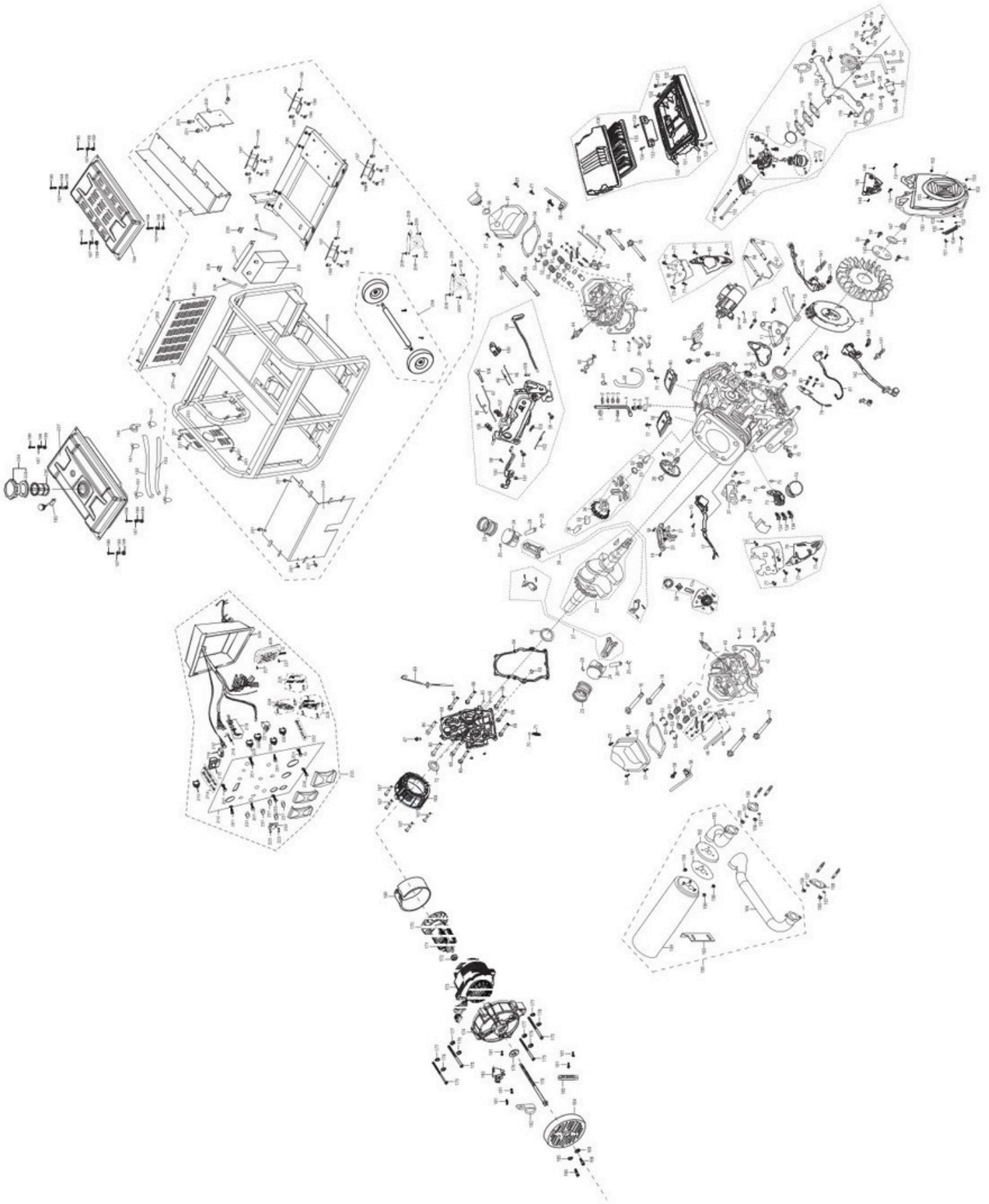
Serviconstructor

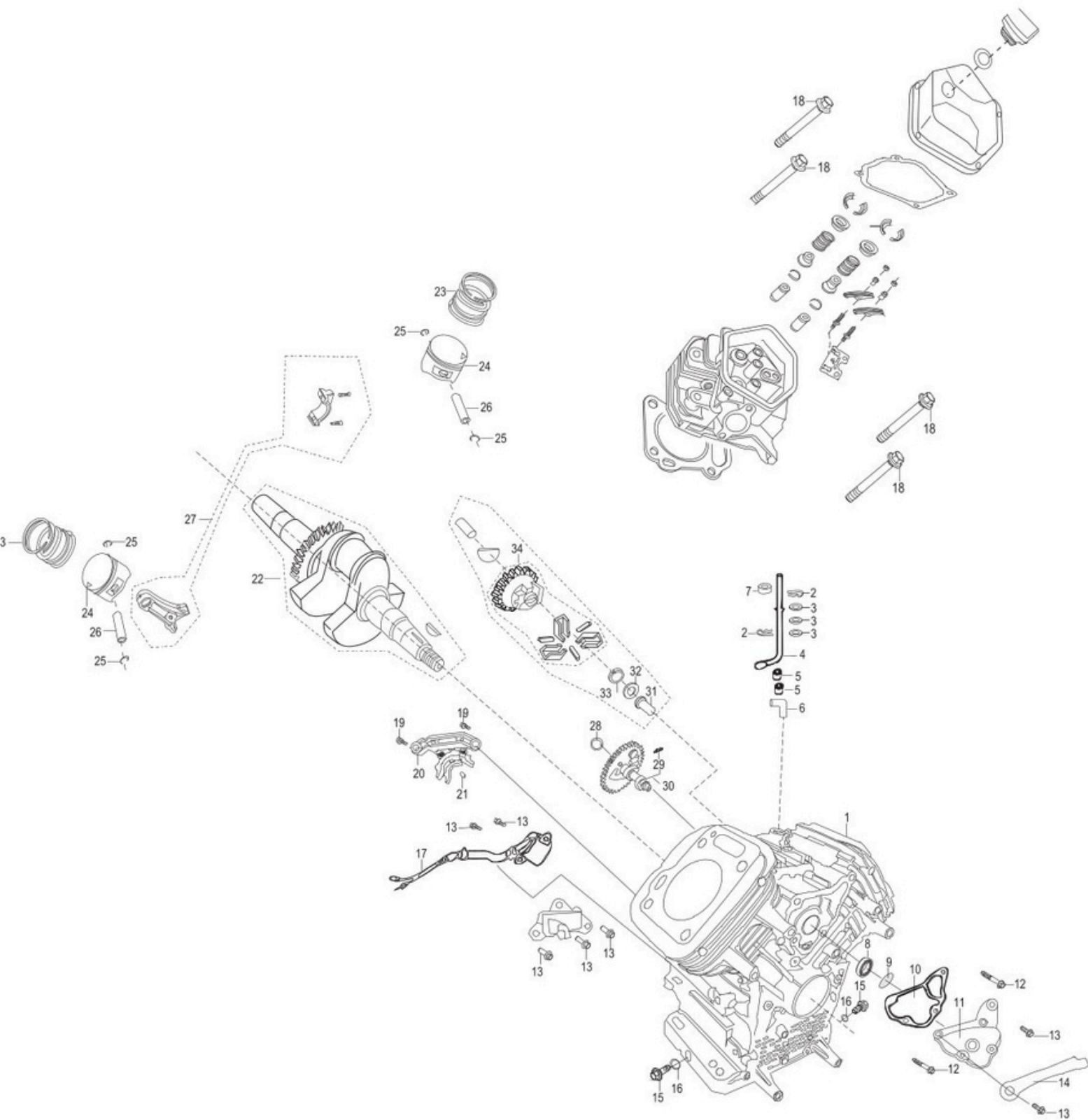
GRUPO ESPECIALIZADO EN SERVICIO Y EQUIPO LIGERO PARA EL CONSTRUCTOR S.A DE C.V.

Manual de partes de Generador MPOWER 11000E

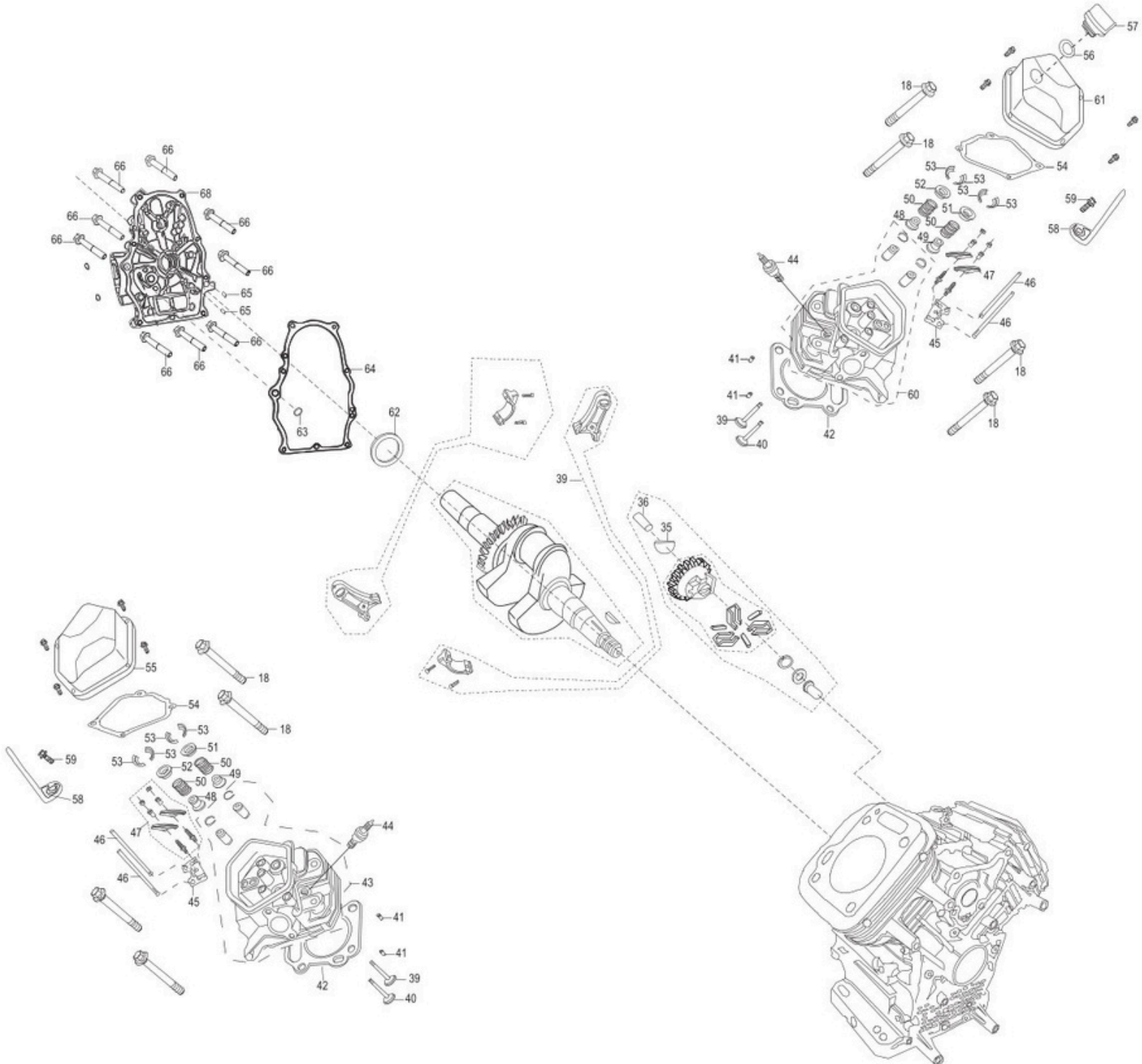


<https://www.serviconstructor.com.mx>

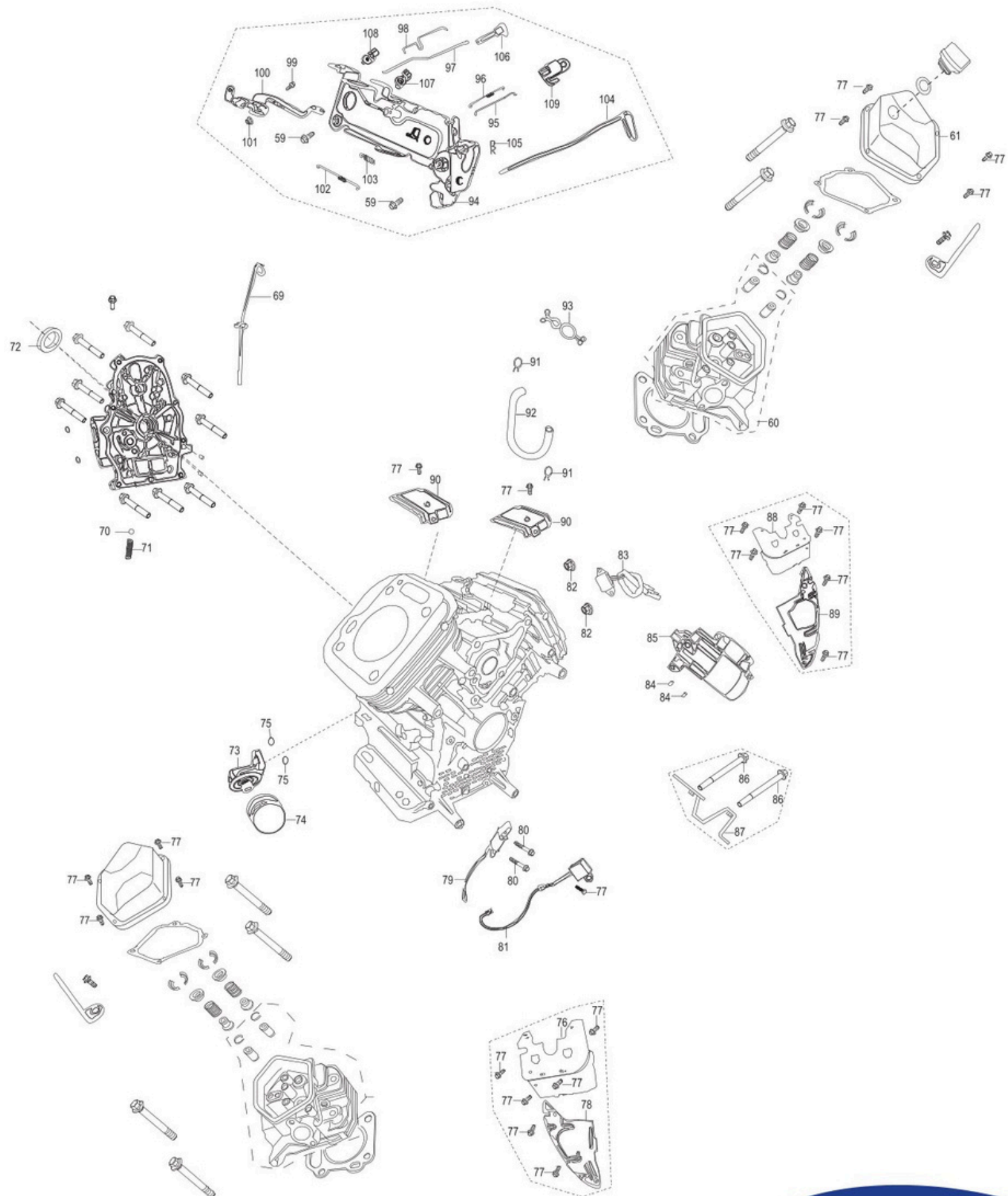




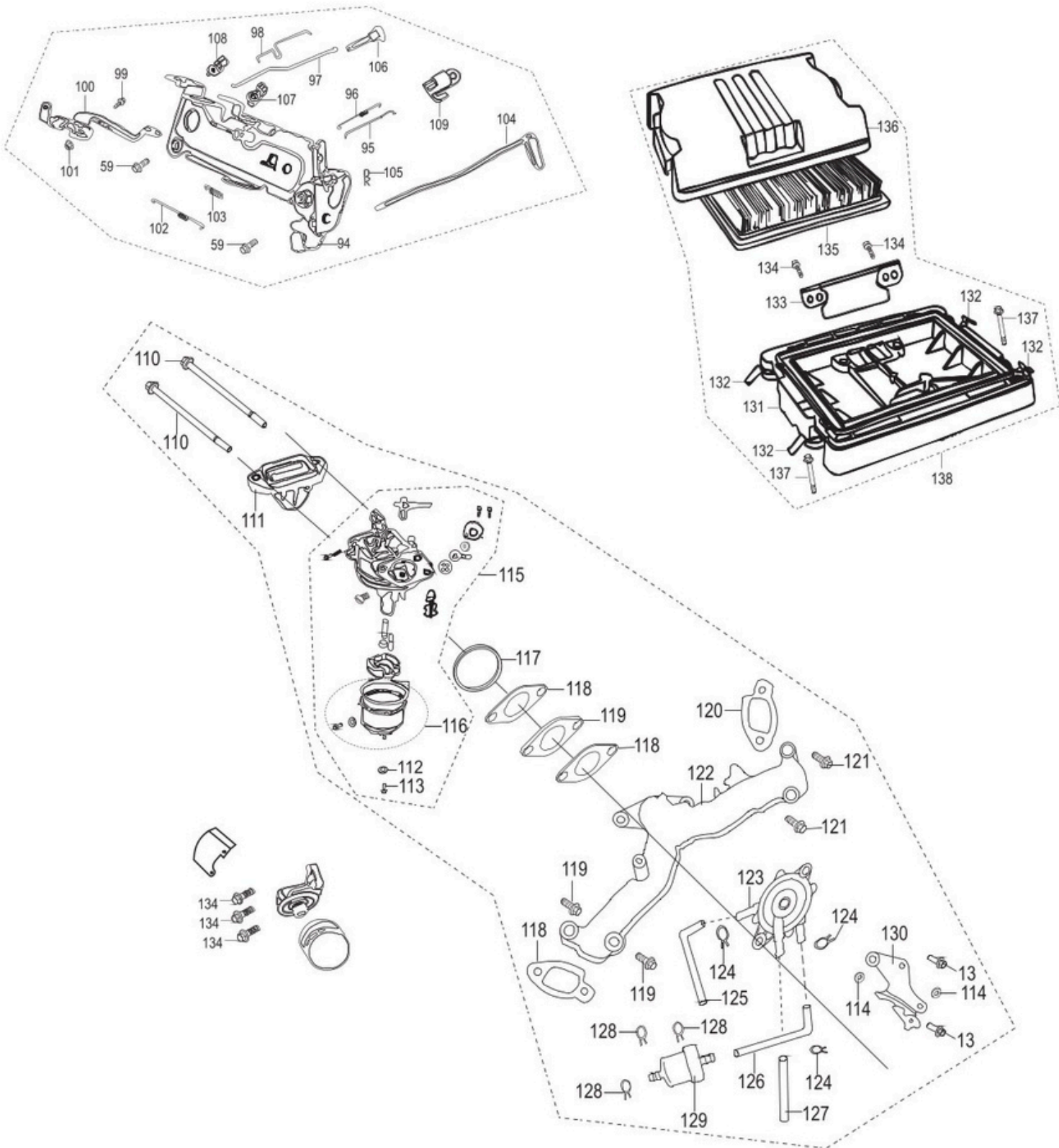
ITEM	PART NO.	DESCRIPTION	QTY.
1	11100	CRANKCASE	1
2	26112/168F	SPLIT PIN	2
3	26113	WASHER	3
4	26111	REGULATING SWAY BAR	1
5	GB/T12764	ROLLER BEARING	2
6	19140	NIPPLE, EXHAUST	1
7	11130	OIL SEAL, REGULATING SWAY BAR	1
8	GB/T279	BEARING 6003	1
9	15253	VALVE PIECE	1
10	12354	GASKET, LABYRINTH GLAND	1
11	12217	GLAND, LABYRINTH	1
12	GB/T16674.1	BOLT M6×30	2
13	GB/T16674.1	BOLT M6×16	9
14	24145	PRESSING LINE PLATE	1
15	11115	DRAIN PLUG	2
16	11116	WAHSER, DRAIN PLUG	2
17	27400/173F	OIL SENSOR	1
18	12118/173F	BOLT	8
19	GB/T 5789	BOLT M6×20	2
20	14500	ROCKER ARM ASSY,LOWER	1
21	11113/173F	SET PINΦ8×12	1
22	13110	CRANKSHAFT ASSY	1
23	13400	PISTON RING SET	2
24	13311	PISTON	2
25	13313/173F	PISTON PIN CIRCLIP	4
26	13312	PISTON PIN	2
27	13100	CONNECTING ROD ASSY	2
28	14114	ADJUSTING WASHER	1
29	14122/173F	EXTENSION SPRING	1
30	14100	CAMSHAFT ASSY	1
31	25112	SLIDING SLEEVE	1
32	25113/168F	WASHER	1
33	25117/173F	SNAP RING	1
34	25110	DRIVEN GEAR, REGULATOR ASSY	1



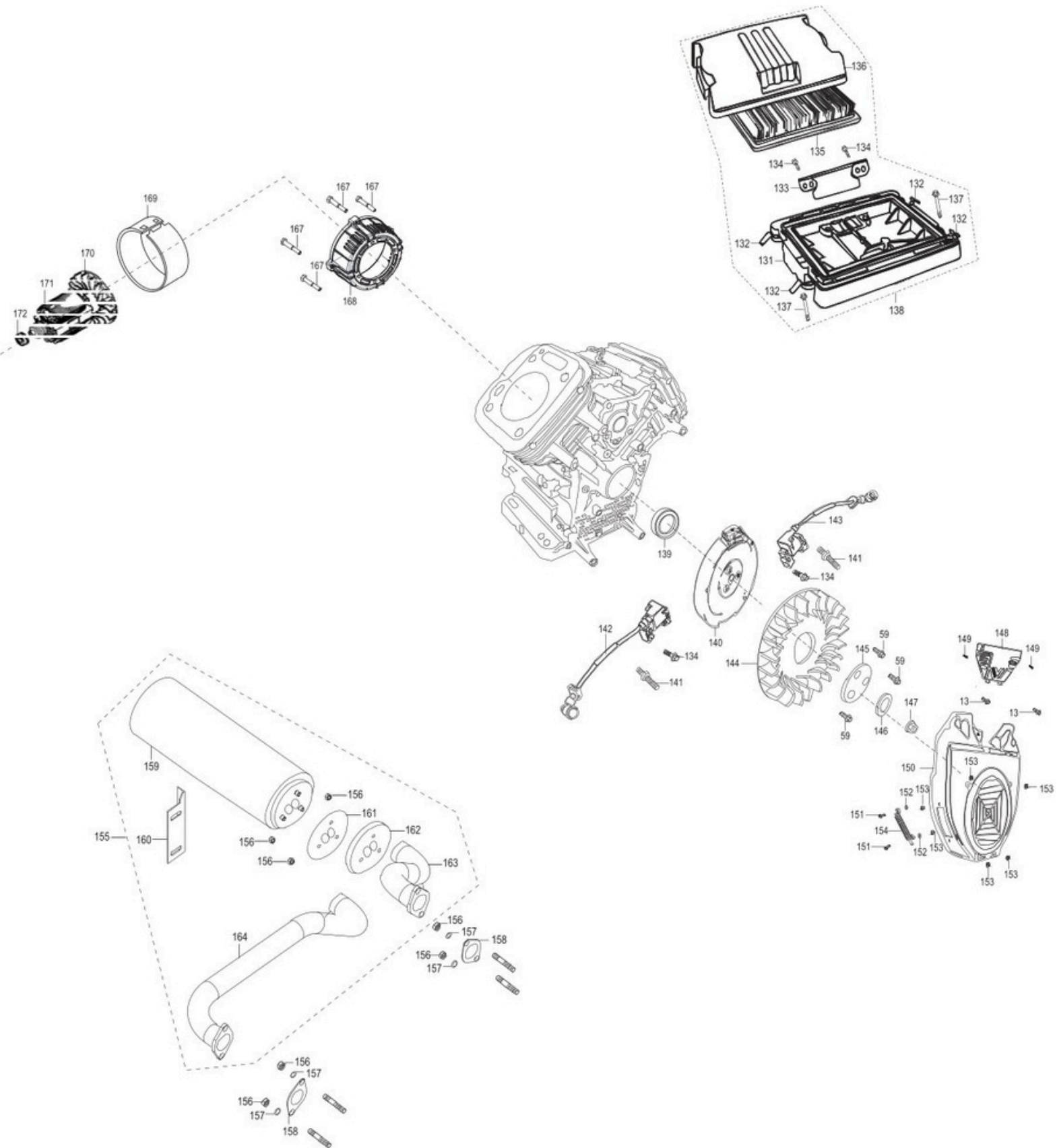
ITEM	PART NO.	DESCRIPTION	QTY.
35	25118/173F	WASHER, DRIVEN GEAR	1
36	25115	REGULATING SHAFT	1
37	15250	GAUZE SET	1
38	15100	OIL PUMP ASSY	1
39	14411/182F	INTAKE VALVE	2
40	14421/182F	EXHAUST VALVE	2
41	12117	SET PIN	4
42	12121	GASKET, CYLINDER HEAD	2
43	12130	CYLINDER HEAD ASSY I	1
44	27100/173F	SPARK PLUG F6TC	2
45	14221/173F	PUSHER GUIDE	2
46	14210	PUSHER	4
47	14310 /173F	VALVE ROCKER ASSY	2
48	14417/173F	SPRING RETAINER, EXHAUST VALVE	2
49	14420	OIL BAFFLE COVER COMPONENTS	2
50	14414/173F	VALVE SPRING	4
51	14414/173F	SPRING SEAT, EXHAUST VALVE	2
52	14415 /173F	SPRING SEAT, INTAKE VALVE	2
53	14418	LOCK, AIR VAVLE	8
54	12212/173F	GASKET, CYLINDER HEAD COVER	2
55	12132	CYLINDER HEAD COVER ASSY I	1
56	12221/173F	WASHER	1
57	15610	OIL PLUG	1
58	24146	SUPPORT	2
59	GB/T16674.1	BOLT M8×16	7
60	12141	CYLINDER HEAD II	1
61	12142	CYLINDER HEAD COVER ASSY II	1
62	13115	ADJUSTING WASHER	1
63	15248	O-RING Φ13×2.5	1
64	11114	GASKET, CRANKCASE	1
65	11113	SET PIN	2
66	GB/T16674	BOLT M8×50	9
67	11138	PLUG	1
68	11211	CRANKCASE COVER	1



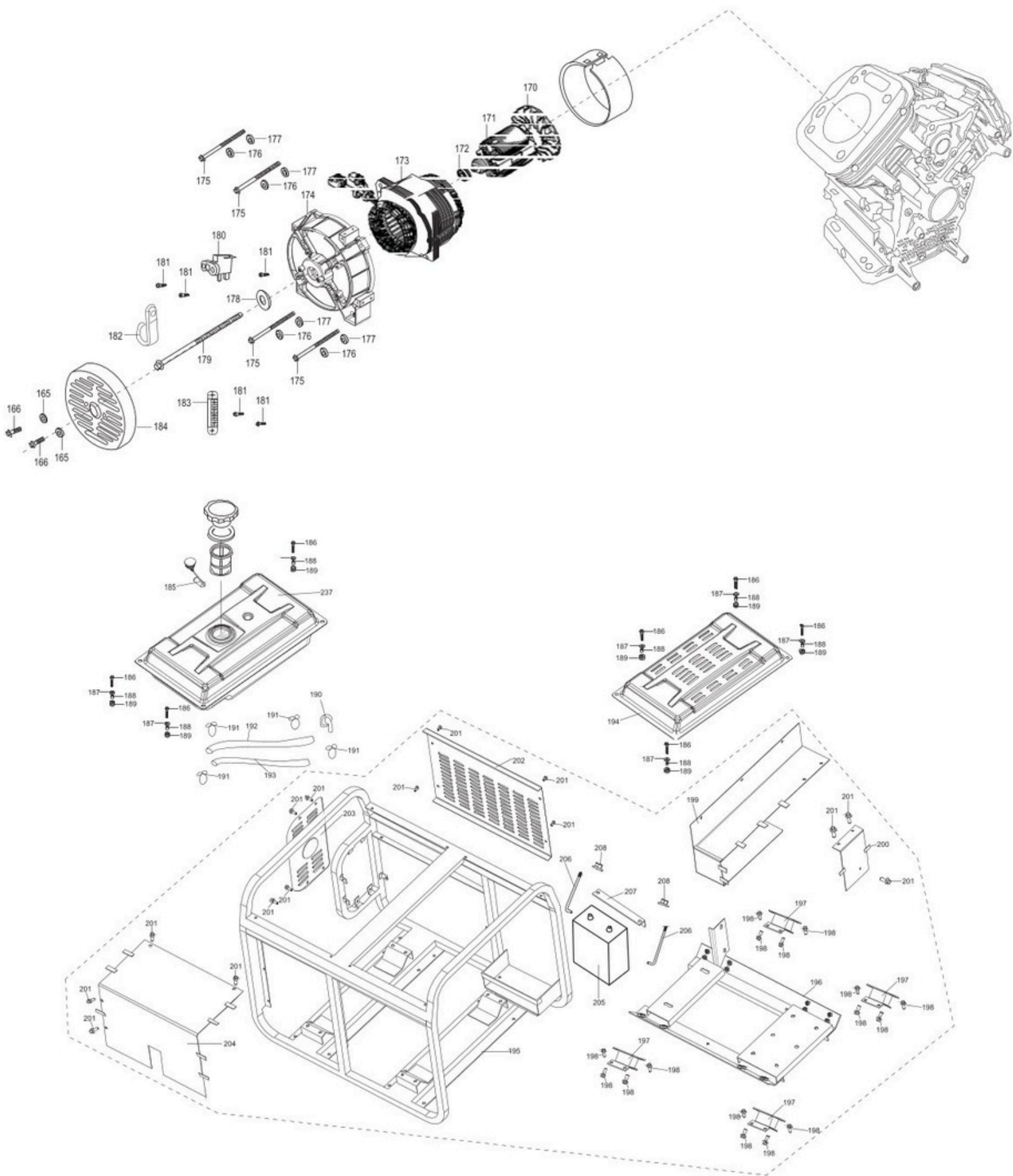
ITEM	PART NO.	DESCRIPTION	QTY.
69	15510	DIPSTICK WITH SEAL	1
70	GB/T308	BALL SØ9.5	1
71	15118	SPRING	1
72	11120	OIL SEAL, CRANKSHAFT	1
73	15211	SEAT ,OIL CLEANER	1
74	15200	OIL FILTER ASSY	1
75	15248	O-RING Ø12×2.5	2
76	19131	LEAD WIND COVER II	1
77	GB/T16674.1	BOLT M6×12	24
78	19315	SLIDE PLATE, CRANKCASE II	1
79	24130	CHARGE COIL	1
80	GB/T5789	BOLT M6×32	2
81	34400	FLAMEOUT DIODE	1
82	GB/T6170	NUT M6	2
83	27500	DIODE	1
84	24143	DOWEL PIN, MOTOR, STARTING	2
85	24100	MOTOR, STARTING	1
86	24144	BOLT M8×110	2
87	24140	CONNECTING MEMBER SET, STARTING MOTOR	1
88	19121	LEAD WIND COVER I	1
89	19311	SLIDE PLATE, CRANKCASE I	1
90	19171	DEFLECTOR	2
91	19144	CLAMP, EXHAUST PIPE	2
92	19143	PIPE, EXHAUST	1
93	19144	CLAMP SET, EXHAUST PIPE	1
94	26210	REGULATING BOARD	1
95	26115	PULLING ROD	1
96	26117	BACK SPRING	1
97	26121	CHOKE LINK II	1
98	26119	CHOKE LINK I	1
99	26116	LOCK BOLT	1
100	26114	REGULATING ARM	1
101	GB/T6177.1	NUT M6	1
102	26215	REGULATING SPRING	1



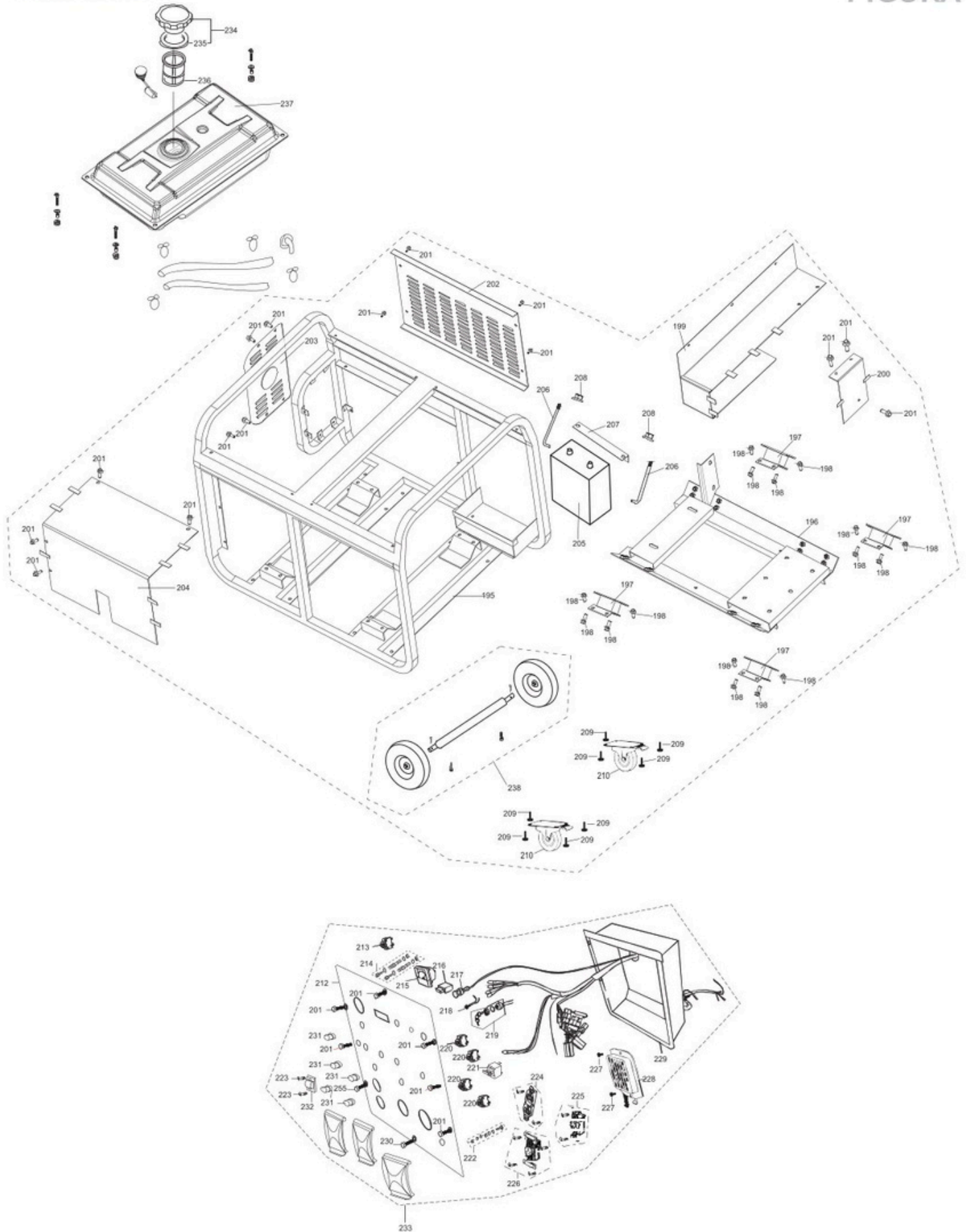
ITEM	PART NO.	DESCRIPTION	QTY.
103	26118	FINE REGULATING SPRING	1
104	26260	HAND SHANK COMPONENTS	1
105	26112/168F	CLAMP, REGULATING SWAY BAR	1
106	16114	SWITCH, CHOKE	1
107	26121	CLAMP, CHOKE LINK II	1
108	26119	CLAMP, CHOKE LINK I	1
109	26124	CLAMP, PULLING ROD	1
110	16134	BOLT M6×120	2
111	17230	BRACKET, AIR CLEANER	1
112	16215	WASHER	2
113	16212	SCREW	1
114	16210	FLOAT CHAMBER	1
115	16100	CARBURETOR ASSY	1
116	16712	WASHER I	2
117	17212	GASKET, INLET PIPE	1
118	16113	CARBURETOR GASKET	2
119	16122	CONNECTING BLOCK	1
120	17219	INLET GASKET	2
121	GB/T16674.1	BOLT M8×50	4
122	17211	INLET PIPE	1
123	16700	FUEL PUMP ASSY	1
124	16622	CLAMP, PIPE I	3
125	16714	INLET PIPE, FUEL PUMP	1
126	16716	VACUUM PIPE, FUEL PUMP	1
127	16715	OUTLET PIPE, FUEL PUMP	1
128	16624	CLAMP, PIPE II	3
129	16660	FULE STRAINER COMPONENTS	1
130	16711	SUPPORT ,FULE PUMP	1
131	17200	AIR CLEANER HOUSING	1
132	17119	CLAMP, AIR CLEANER	4
133	17115	COVERPLATE AIR CLEANER	1
134	GB/T16674.1	BOLT M6×25	7
135	17120	FILTER ELEMENT	1
136	31552	AIR CLEANER COVER	1



ITEM	PART NO.	DESCRIPTION	QTY.
137	17117	BOLT, AIR CLEANER	2
138	17100	AIR CLEANER ASSY	1
139	11120	OIL SEAL, CRANKSHAFT38×58×8	1
140	23300	FLYWHEEL	1
141	19213	STUD	2
142	27210	IGNITION COIL ASSY I	1
143	27610	IGNITION COIL ASSY II	1
144	19111	FLYWHEEL FAN	1
145	19151	PRESSING PLATE	1
146	23319	WASHER, FLYWHEEL	1
147	23317	NUT M20×2	1
148	19221	WIND PLATE	1
149	GB/T5282	SCREW ST4.2×19	2
150	19210	FAN HOOD ASSY	1
151	GB/T5789	BOLT M6×28	2
152	GB/T96.1	WASHER	2
153	GB/T6187.1	NUT M6	6
154	19630	OIL CONDENSER COMBINATION	1
155	18000	MUFFLER ASSY	1
156	GB/T6170	NUT M8	7
157	GB97.1	WASHER8	4
158	18215	GASKET,EXHAUST VALVE	2
159	18100	MUFFLER ASSY	1
160	32131	INSTALL PLATE	1
161	18217	GASKET	1
162	31559	CONNECT DISK	1
163	18117	EXHAUST PIPE	1
164	18117	EXHAUST PIPE	1
165	31511	WASHER Φ5	2
166	31153	BOLT M5×22	2
167	GB/T16674.1	BOLT M10×32*1.25	4
168	31158	GENERATOR END COVER	1
169	31113	STATOR COVER	1
170	31157	GENERATOR FAN	1



ITEM	PART NO.	DESCRIPTION	QTY.
171	31120	ROTOR COMP.	1
172	GB276-94	BEARING 6204-2ZN	1
173	31100	STATOR ASSEMBLED	1
174	31151	GENERATOR STAY	1
175	31931	BOLT M8×1.25×208	4
176	GB97.1	WASHER 8	4
177	Gb93	SPRING WASHER 8MM	4
178	31126	WASHER 10	1
179	31125	BOLT M10×1.25×290	1
180	31130/8.5GF-3	BRUSH ASSY	1
181	31153	BOLT M5×12	5
182	31255	WIRE CLAMP	1
183	31154	CONNECTING PLATE	1
184	31152	GENERATOR END COVER	1
185	16560	FUEL SENSOR	1
186	GB5787-86	BOLT M6×16	7
187	GB/T96.1	GASKET 6	7
188	16914/C178F	BUSH	7
189	19123/C178F	GUM COVER	7
190	16640/173F-A	FUEL COCK	1
191	16622	TUBE CLIP	4
192	16621/173F	OUTLET PIPE I	1
193	16621/182F-E	OUTLET PIPE II	1
194	21132	OUTLET PIPE	1
195	32100	FRAME	1
196	32230	BASE SUPPORT	1
197	32413	CUSHION, FRAME	4
198	GB5787-86	BOLT M8×16	16
199	18230	OUTER HOOD I	1
200	45834	COVER	1
201	GB5787-86	BOLT M6×12	21
202	32270	SAID BAFFLE PLATE	1
203	19117	BACK BAFFLE PLATE	1
204	18240	OUTER HOOD II	1



ITEM	PART NO.	DESCRIPTION	QTY.
205	32430	BATTERY	1
206	32431	BOLT M6×225	2
207	GB5787-86	BATTERY PLATE	1
208	GB/T6170	NUT M6	2
209	GB/T16674	BOLT M8×16	8
210	45420	WHEEL KIT	2
211	11220	BUCKLER	1
212	31210	CONTROL PANEL	1
213	31245	DC CURRENT PROTECTOR	1
214	31231	TERMINAL	2
215	31226	VOLTMETER	1
216	37870	TIME DISPLAY	1
217	26250	BLOCK THE BREEZE DOOR PULLS THE ROPE	1
218	31265	INDICATED LAMP	1
219	31216	IGNITION SWITCH	1
220	31245	AC CURRENT PROTECTOR	4
221	31221	CIRCUIT PROTECTOR	1
222	31003	EARTH TERMINAL SET	1
223	GB5787-86	SCREW M5×12	2
224	31223	SOCKET (20A)	1
225	31223	SOCKET (30A)	1
226	31223	SOCKET (50A)	1
227	GB5787-86	SCREW M5×16	2
228	31140	VOLTAGE REGULATOR	1
229	31251	CONTROL PANEL CASE	1
230	GB/T16674	BOLT M6×25	2
231	24126	WATERPROOF CAP	5
232	31269	WATERPROOF CAP	3
233	31200	CONTROL PANEL ASSY	1
234	16400	FUEL TANK	1
235	16414	PACKING RING	1
236	16610	FUEL FILLER	1
237	16510	FUEL TANK	1
238	31300	WHEEL KIT ASSY	1



Serviconstructor

GRUPO ESPECIALIZADO EN SERVICIO Y EQUIPO LIGERO PARA EL CONSTRUCTOR S.A DE C.V.

**Renta, Venta, Reparación y
Refacciones**

**Suc. Veracruz Tel. 229-9376429
Suc. Córdoba Tel 271-7169710
Centro de Servicio Tel. 229-1083**

<https://www.serviconstructor.com.mx>