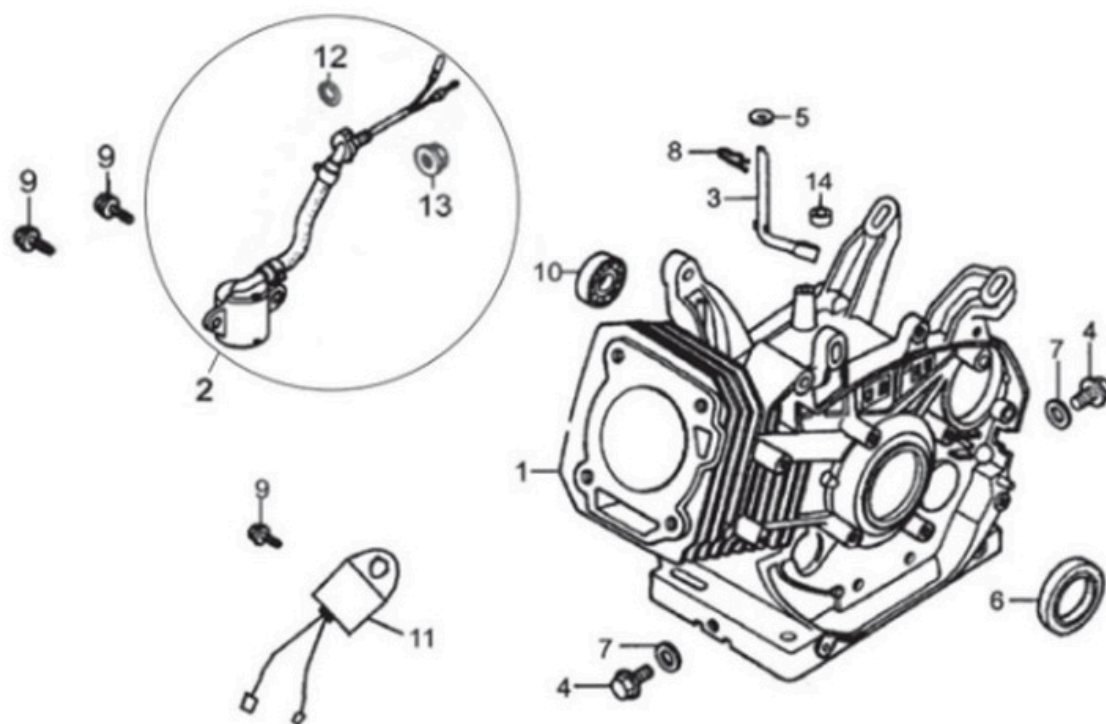




Manual de partes de Generador MPOWER 8000E-X17

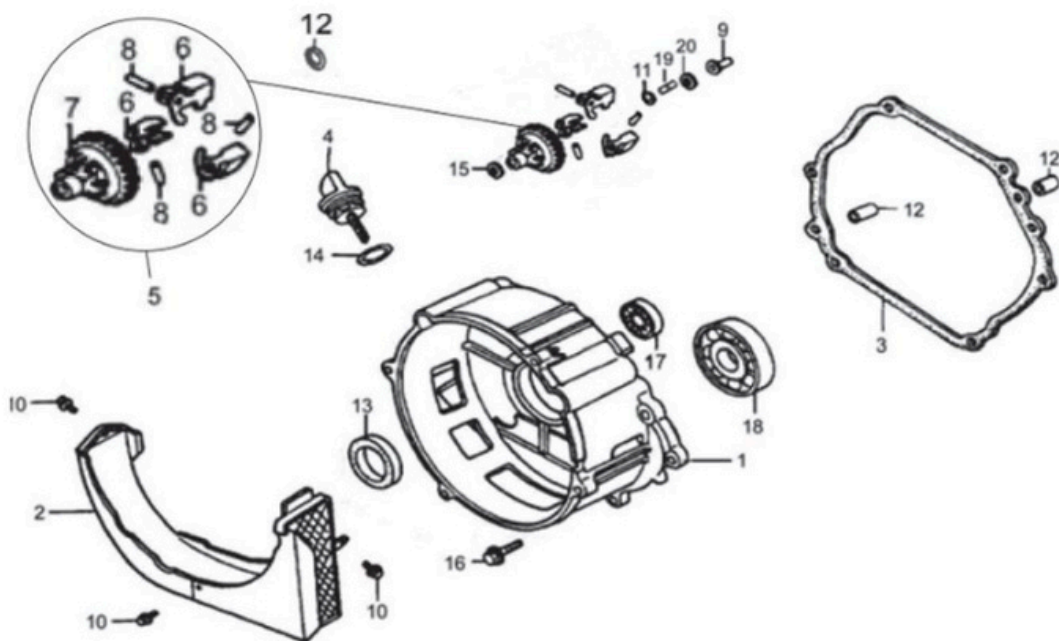


<https://serviconstructor.com.mx>



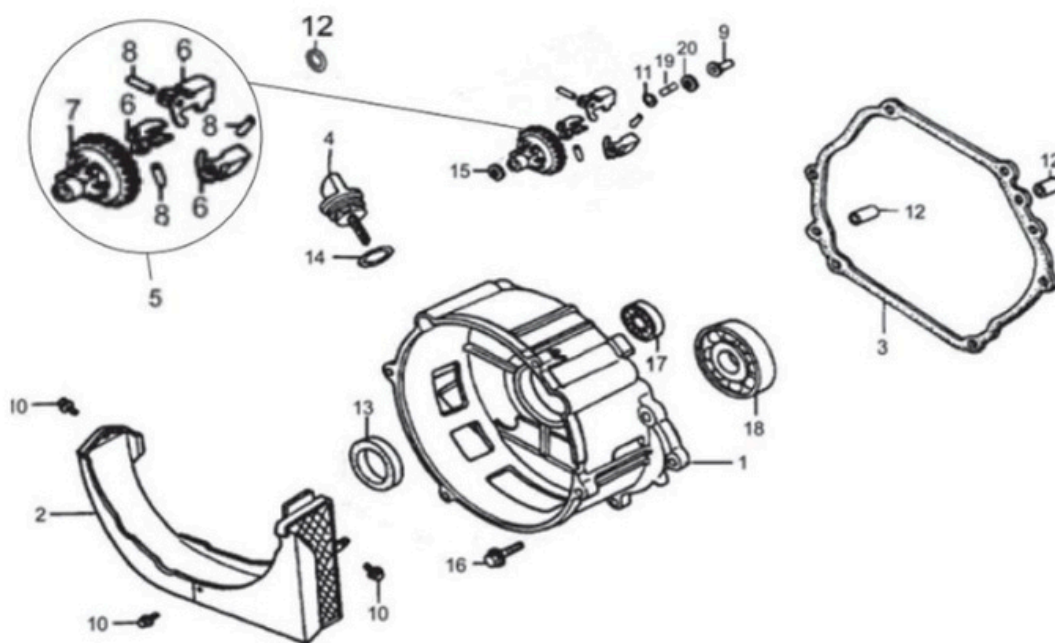
N°	PARTE N°	DESCRIPCIÓN	CANT.
1	11100/8000E	Crankcase	1
2	37810/173F	Oil sensor	1
3	26311/182F	Regulating sway bar	1
4	11212/173F	Drain plug	2
5	26329/173F	Washer	1
6	13180/182F	Oil seal, crankshaft	1
7	94737600	Washer	2
8	26321/173F	Split pin	1
9	GB5787-86	Bolt M6 x 12	3
10	GB276-89	Bearing 6202	1
11	37850/168F	Diode	1
12	GB3452.1-92	O-ring 13 x 1.4	1
13	GB6177-86	Nut M10	1
14	26390/182F	Oil seal, regulating sway bar	1

CRANKCASE COVER ASSY



N°	PARTE N°	DESCRIPCIÓN	CANT.
1	11311/8000E	Crankcase cover	1
2	11340/182F-AV	Guard, crankcase cover	1
3	11119/182F	Gasket, crankcase	1
4	15611/173F	Dipstick	1
5	25120/182F	Driven gear set, regulator	1
6	25141/182F	Flying block	3
7	25121/182F	Driven gear, regulator	1
8	25163/173F	Pin	3
9	25131/173F	Sliding sleeve	1
10	31995/2GF-3	Bolt M5 x 12	3

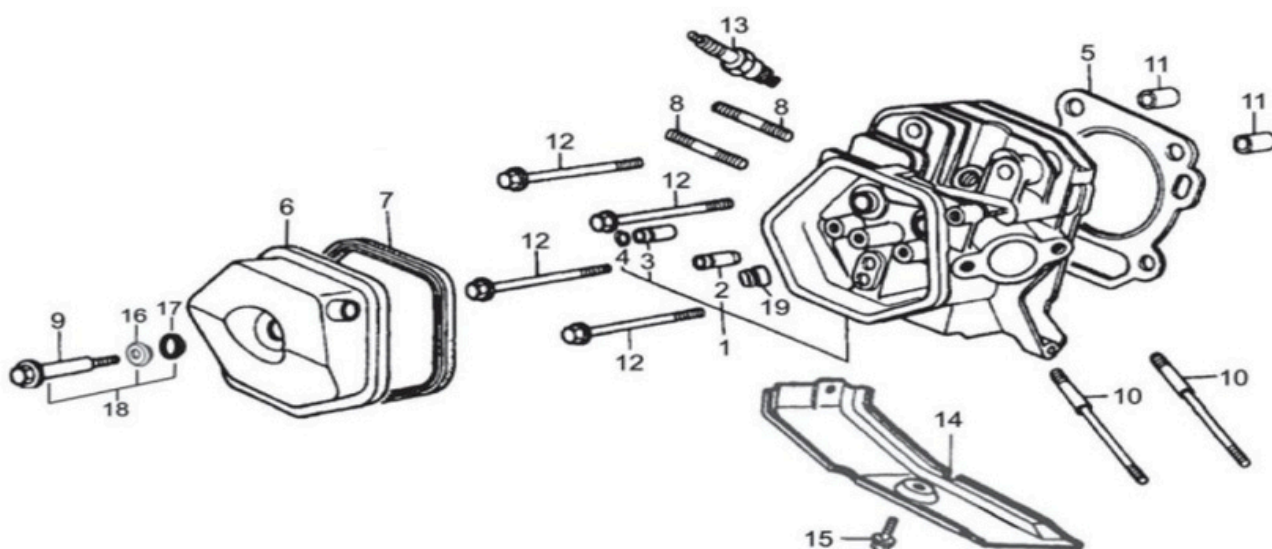
CRANKCASE COVER ASSY



N°	PARTE N°	DESCRIPCIÓN	CANT.
11	25164/173F	Snap ring	1
12	11118/173F	Set pin	2
13	13180/182F	Oil seal, crankshaft	1
14	15612/173F	Seal	1
15	25165/173F	Washer, driven gear	1
16	GB5797-86	Bolt M8 x 40	7
17	GB276-89	Bearing	1
18	GB276-89	Bearing 6207	1
19	25151/173F	Regulating shaft	1
20	25132/173F	Washer, sliding sleeve	1

E-3

CYLINDER HEAD & CYLINDER HEAD COVER ASSY

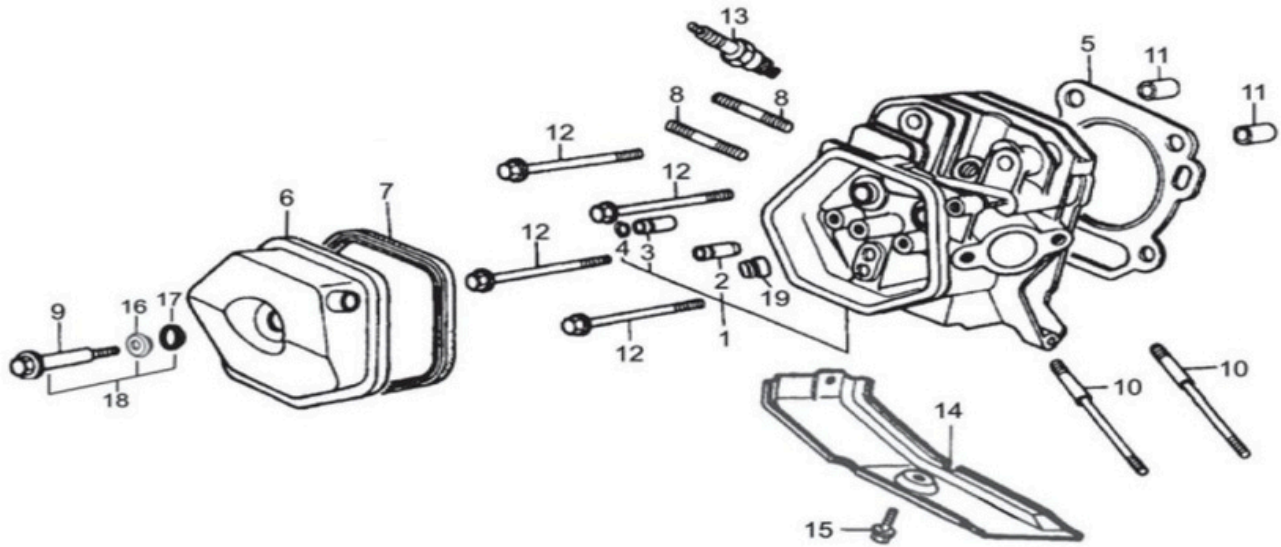


N°	PARTE N°	DESCRIPCIÓN	CANT.
1	12210/182F	Cylinder head assy	1
2	12214/173F	Intake valve guide	1
3	12215/173F	Exhaust valve guide	1
4	12219/173F	Circip	1
5	12220/188F	Gasket, cylinder head	1
6	12310/173F	Cylinder head cover assy	1
7	12312/173F	Gasket,, cylinder head cover	1
8	12253/173F-AV	Stud M8 x 35	2
9	12411/173F	Bolt	1
10	12252/182F-AV	Stud M6 x M8 x 106	2

MANUAL PARTES - GENERADOR 8000E - X17

E-3

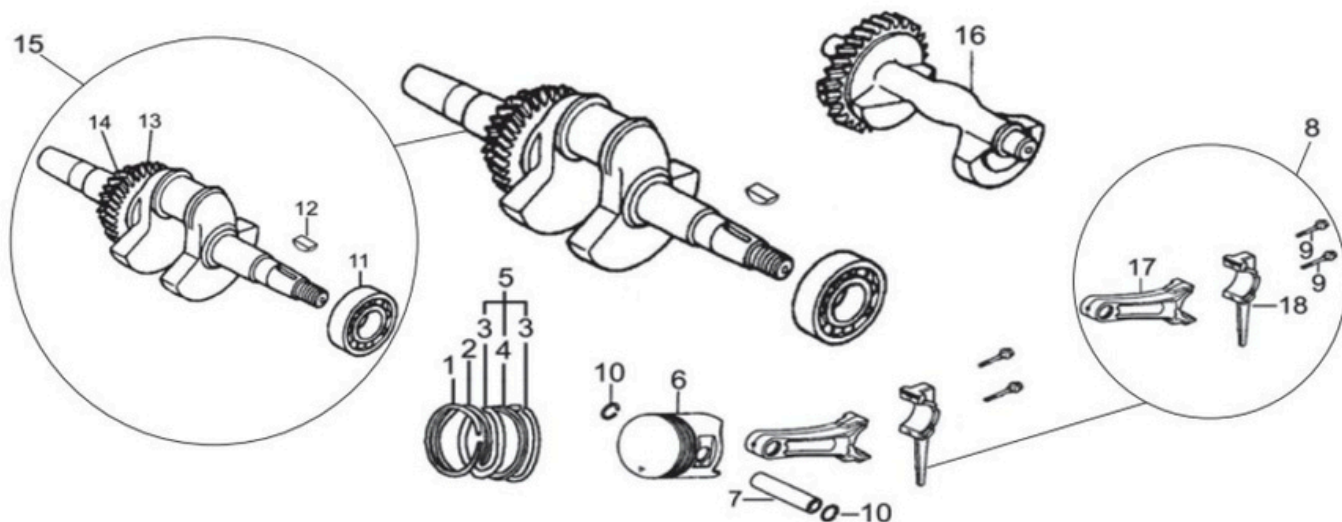
CYLINDER HEAD & CYLINDER HEAD COVER ASSY



MANUAL PARTES - GENERADOR 8000E - X17

N°	PARTE N°	DESCRIPCIÓN	CANT.
11	12218/173F	Set pin	2
12	12256/173F	Falange bolt	4
13	34200/168F	Spark plug F6RTC	1
14	19721/182F	Lead wind cover	1
15	GB5787-86	Bolt M6 x 12	1
16	12412/173F	Washer	1
17	12421/173F	Rubber seal	1
18	12410/173F	Bolt	1
19	14730/173F	Oil seal, valve stem	1

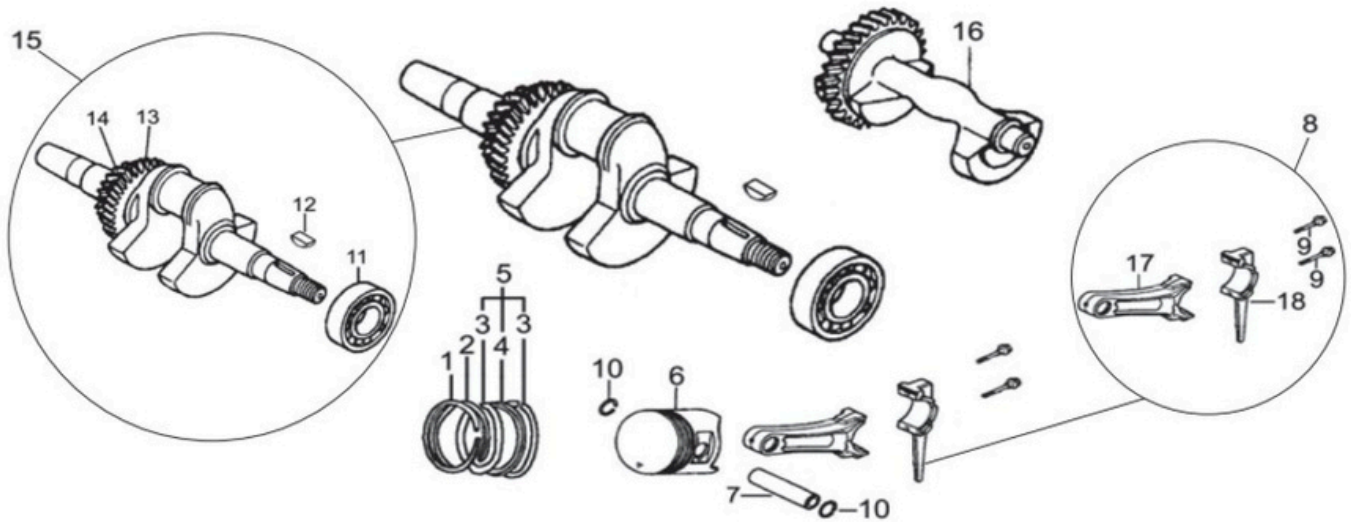
CRANKSHAFT, PISTON CONNECTING ROD & BALANCING SHAFT



MANUAL PARTES - GENERADOR 8000E - X17

N°	PARTE N°	DESCRIPCIÓN	CANT.
1	13311/8000E	Piston ring (I)	1
2	13312/8000E	Piston ring (II)	1
3	13322/188F	Side ring	2
4	13321/188F	Wave ring	1
5	13320/8000E	Scraper ring set	1
6	13211/8000E	Piston	1
7	13221/8000E	Piston pin	1
8	13130/8000E	Connecting rod assy	1
9	13133/173F	Bolt	2

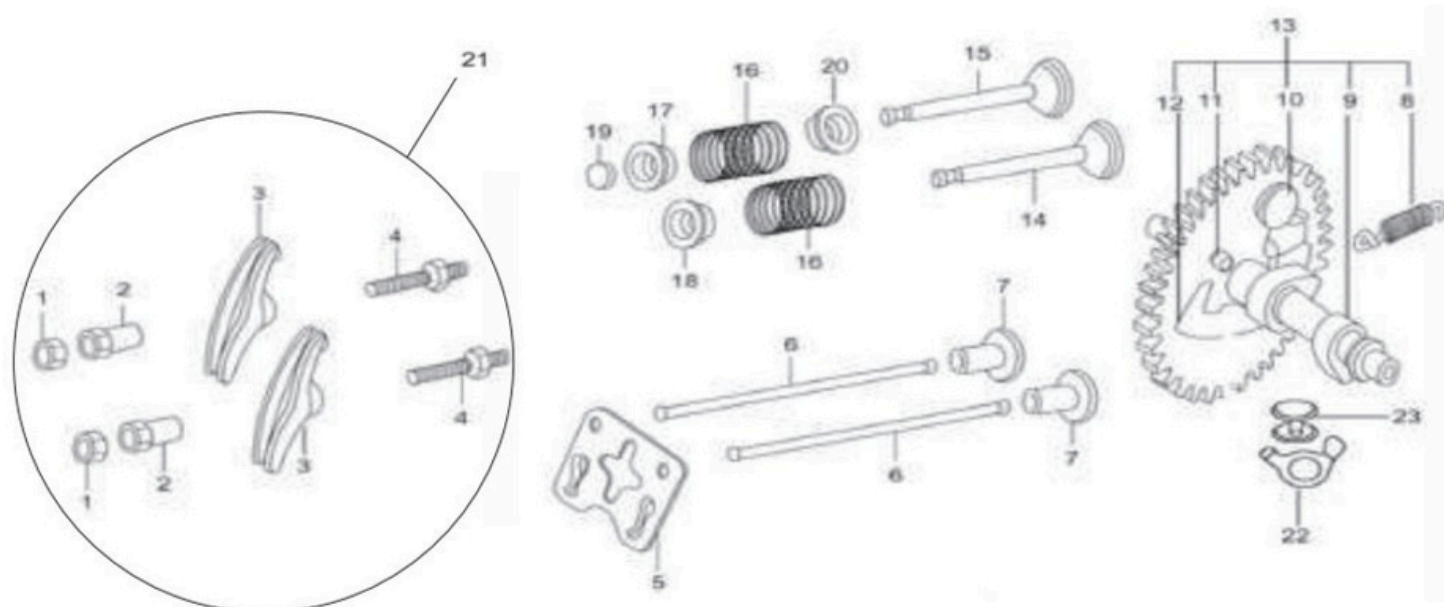
CRANKSHAFT, PISTON CONNECTING ROD & BALANCING SHAFT



N°	PARTE N°	DESCRIPCIÓN	CANT.
10	13222/8000E	Piston pin circlip	2
11	GB276-8000E	Bearing 6207	1
12	13118/173F	Woodruff key	1
13	25111/182F	Drive gear	1
14	14211/182F	Timing driving gear	1
15	13110/8000E	Crankshaft sets	1
16	13611/8000E	Balancing shaft	1
17	13131/182F	Connecting rod	1
18	13132/182F	Connecting rod cover	1

E-5

COMBINATION OF CAMSHAFT & VALVE ROCKER



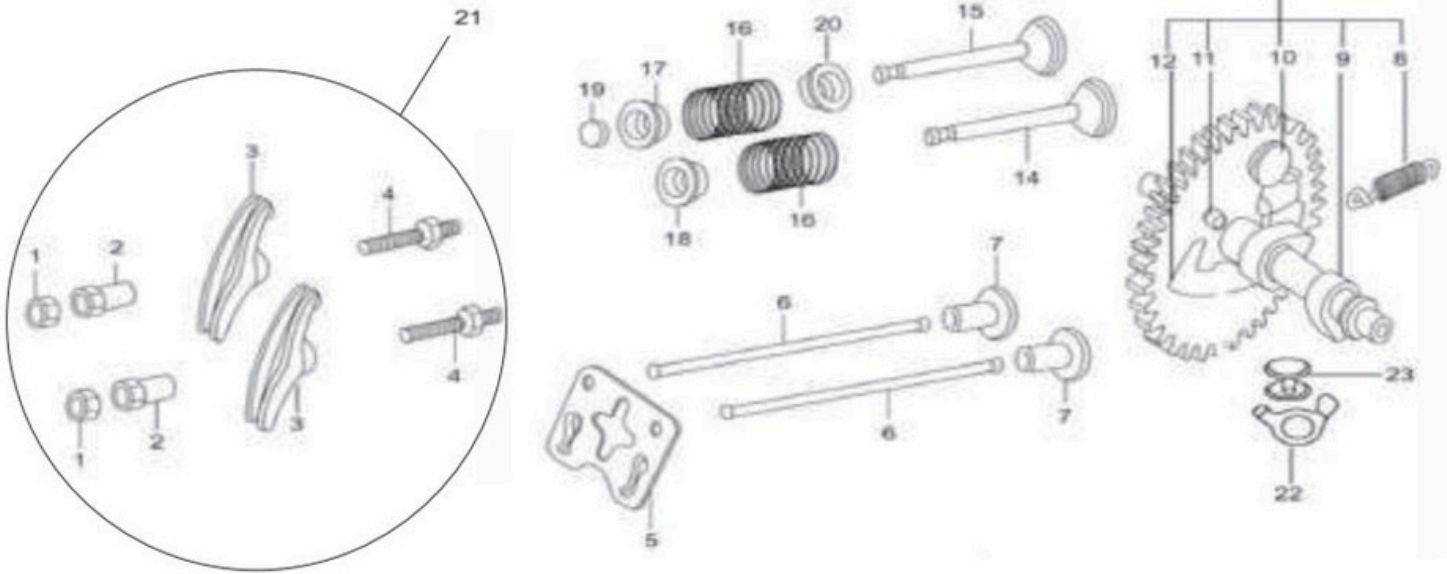
N°	PARTE N°	DESCRIPCIÓN	CANT.
1	14416/173F	Lock nut	2
2	14413/173F	Sleeve	2
3	14411/173F	Valve rocker	2
4	14415/173F	Adjusting bolt for valve gap	2
5	14261/173F	Pusher guide	1
6	14250/182F	Pusher	2
7	14455/173F	Tappet	2
8	14146/173F	Extension spring	1
9	14111/188F	Camshaft	1
10	14149/173F	Pin	1
11	14118/173F	Spring hang pin	1
12	14140/173F	Auto-reductor subassembly	1

E-5

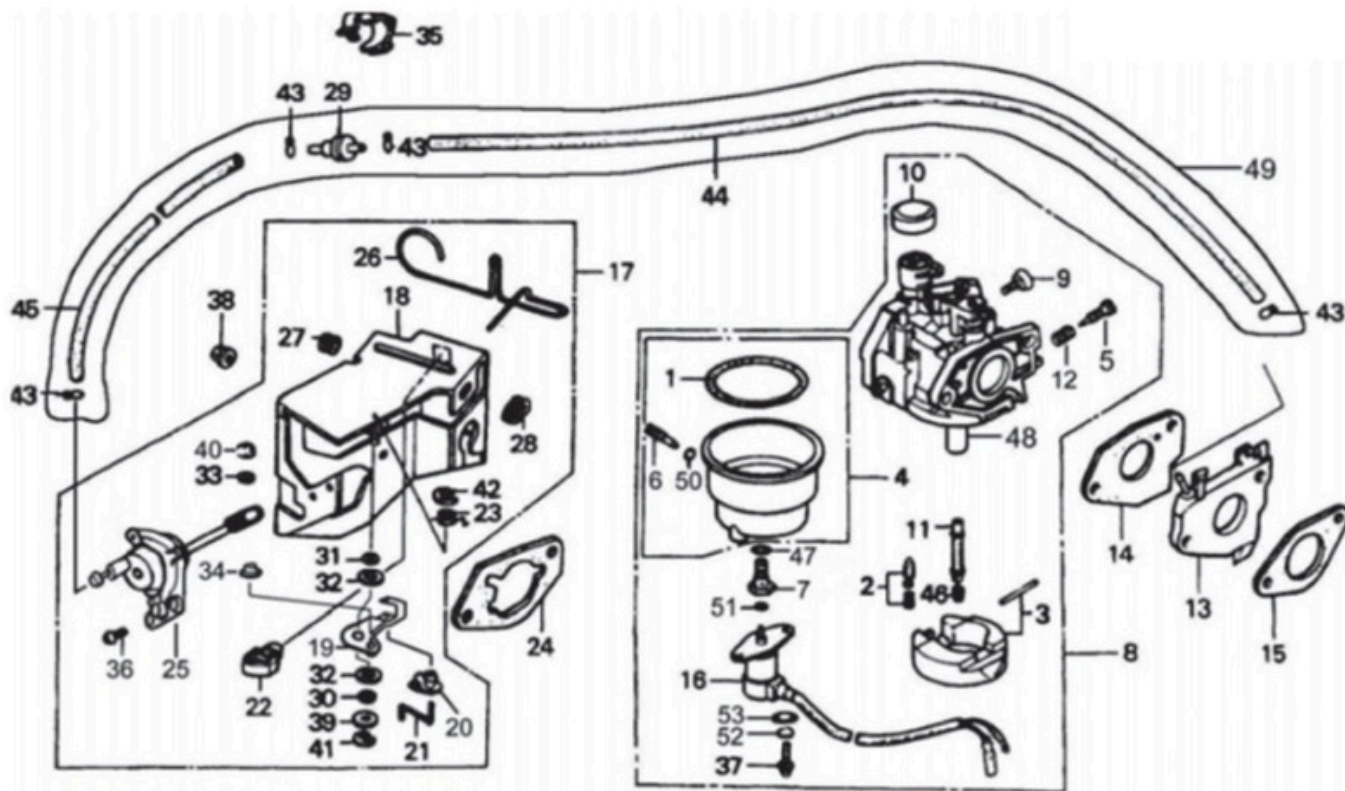
COMBINATION OF CAMSHAFT & VALVE ROCKER



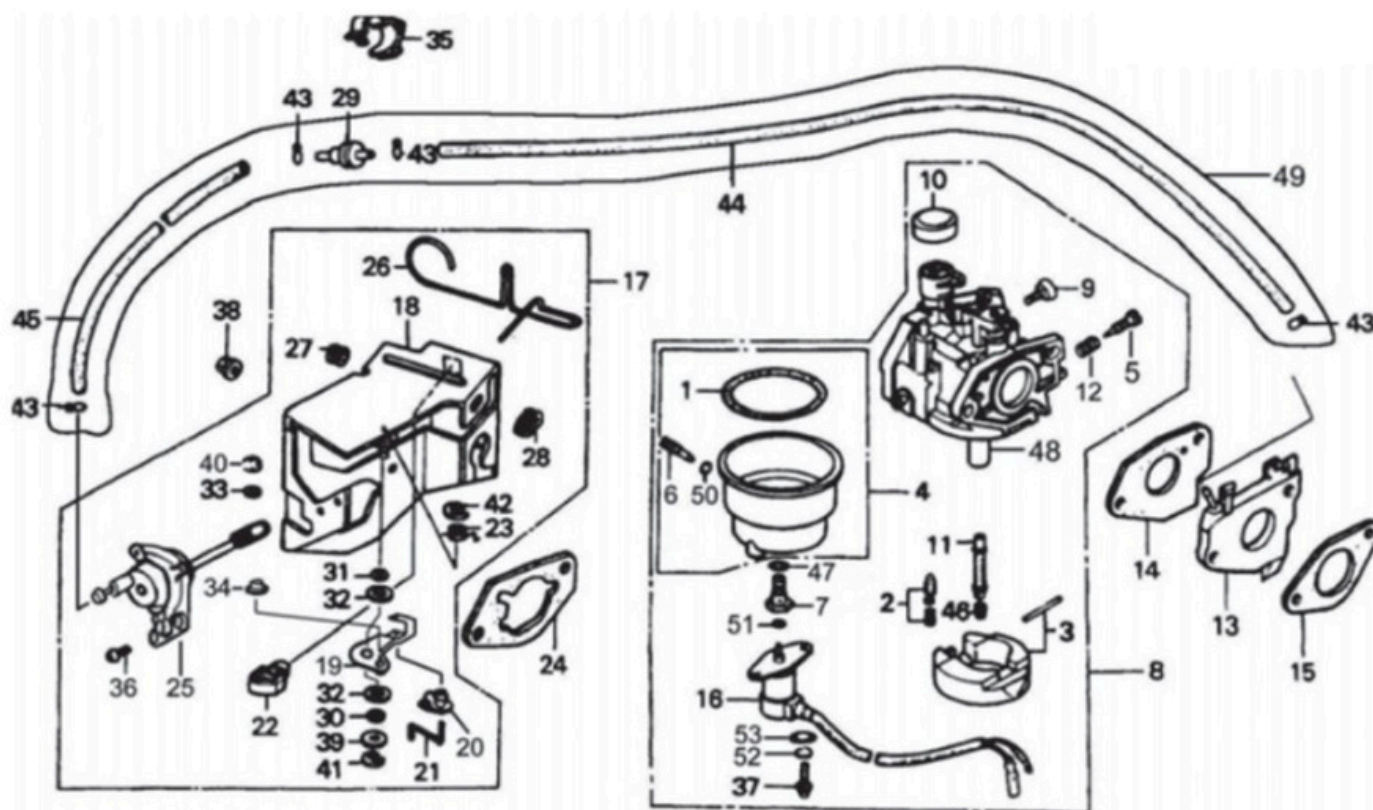
MANUAL PARTES - GENERADOR 80000E - X17



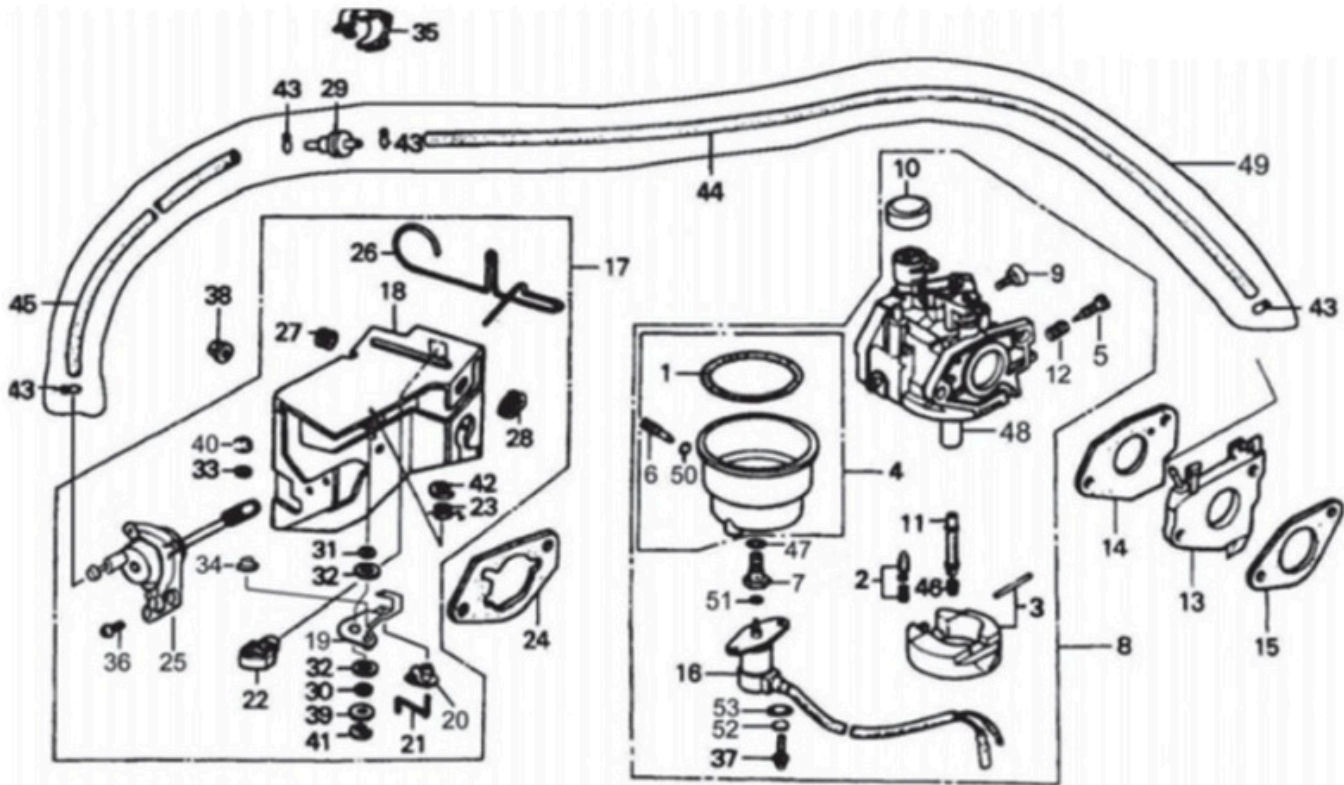
N°	PARTE N°	DESCRIPCIÓN	CANT.
13	14100/188F	Camshaft assy	1
14	14711/182F	Intake valve	1
15	14721/182F	Exhaust valve	1
16	14755/173F	Valve spring	2
17	14757/173F	Spring seat, exhaust valve	1
18	14751/173F	Spring seat, intake valve	1
19	14758/173F	Cap, exhaust valve	1
20	14753/173F	Spring retainer, exhaust valve	1
21	14410/173F	Valve rocker assy	2
22	14151/173F	Limit position panel	1
23	14152/173F	Pin	1



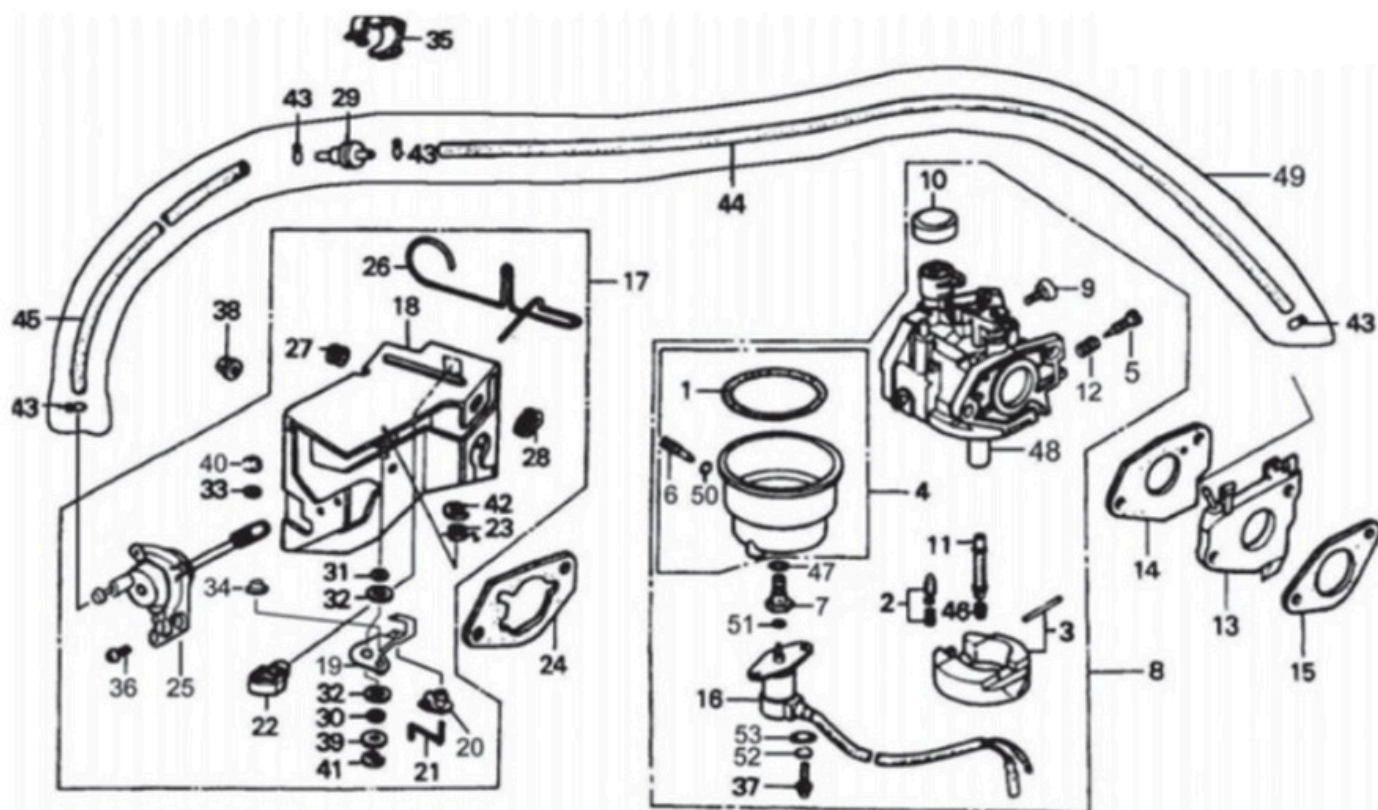
N°	PARTE N°	DESCRIPCIÓN	CANT.
1	16219/173F	Gasket, float chamber	1
2	16240/173F	Float needle	1
3	16230/173F	Float	1
4	16210/173F-AV	Float chamber	1
5	16425/168F	Mixture adjustment screw	1
6	16215/173F	Drain screw, float chamber	1
7	16213/173F-AV	Screw	1
8	16100/188F-AV	Carburetor assy	1
9	16421/168F	Ildde adjustment screw	1
10	16333/173F-AV	Dust cover, choke	1
11	16251/188F	Pipe, main jet	1
12	16422/168F	Spring, mixture adjustment screw	1
13	16141/188F	Connecting block, carburetor	1
14	16142/188F	Gasket, carburetor	1



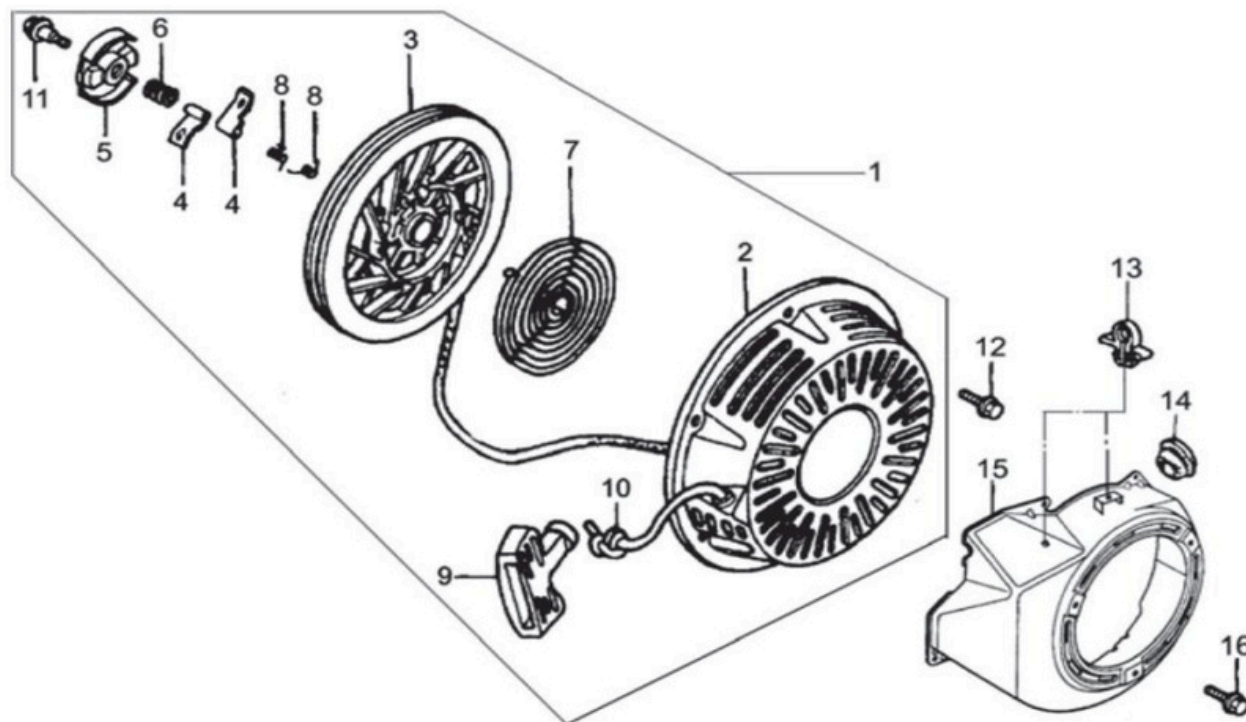
N°	PARTE N°	DESCRIPCIÓN	CANT.
15	12254/182F	Gasket, inlet	1
16	16170/173F-AV	Magnetic valve, carburetor	1
17	16300/182F-AV	Manual choke assy	1
18	16310/173F-AV	Brecket	1
19	16320/173F-AV	Choke lever	1
20	16334/173F-AV	Joint, choke stem	1
21	16332/173F-AV	Choke stem	1
22	16335/173F-AV	Stopper, choke rod	1
23	16338/173F-AV	Spring, choke	1
24	17330/173F-AV	Gasket, air cleaner	1
25	16410/173F-AV	Regulation valve, choke	1
26	16354/182F-AV	Tie rod, choke	1
27	16325/173F-AV	Rubber washer, choke lever 1	1



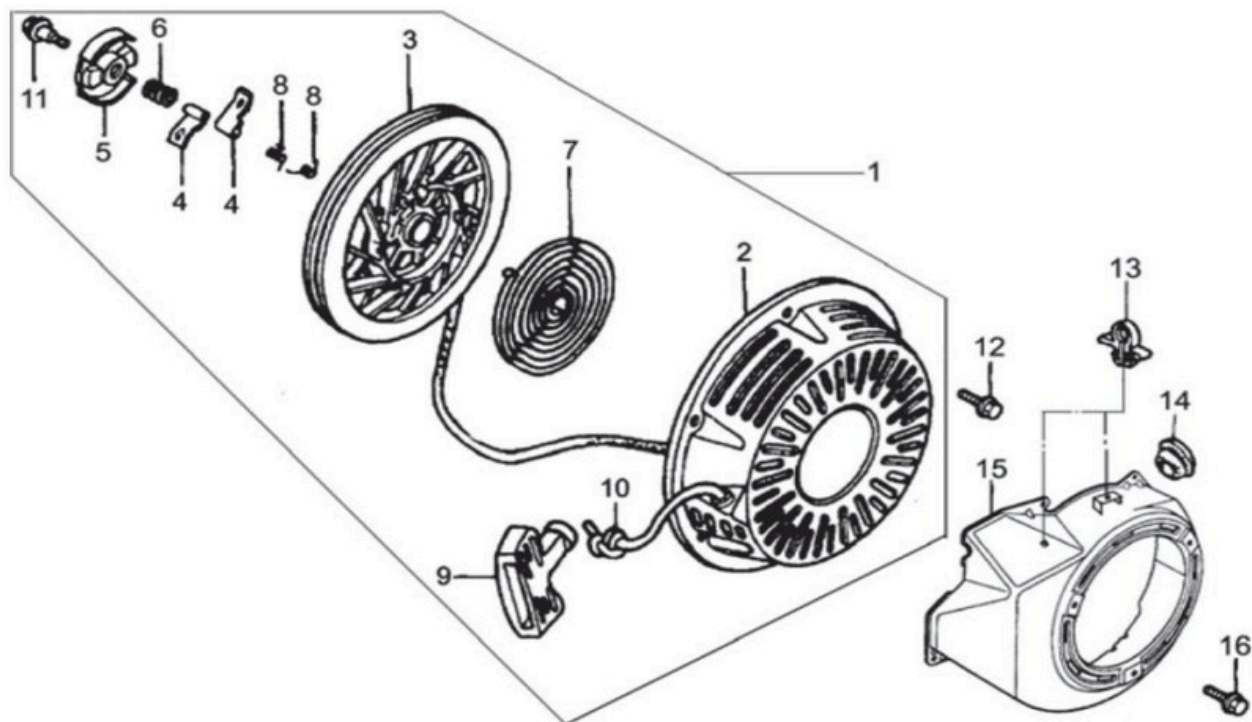
N°	PARTE N°	DESCRIPCIÓN	CANT.
28	16326/173F-AV	Rubber washer, choke lever 2	1
29	17420/173F-AV	Check valve	1
30	16384/173F-AV	Washer 1	1
31	16385/173F-AV	Washer 2	1
32	16383/173F-AV	Picking ring	2
33	16386/173-F-AV	Washer 3	1
34	16387/173F-AV	Washer 4	1
35	32215/173F-AV	Clamp, check valve	1
36	GB818-85	Screw M5 x 12	2
37	GB818-85	Screw M5 x 12	2
38	GB6177-88	Nut M6	2
39	GB96-85	Flat washer 5 mm	1
40	GB896-86	Washer mm4	1



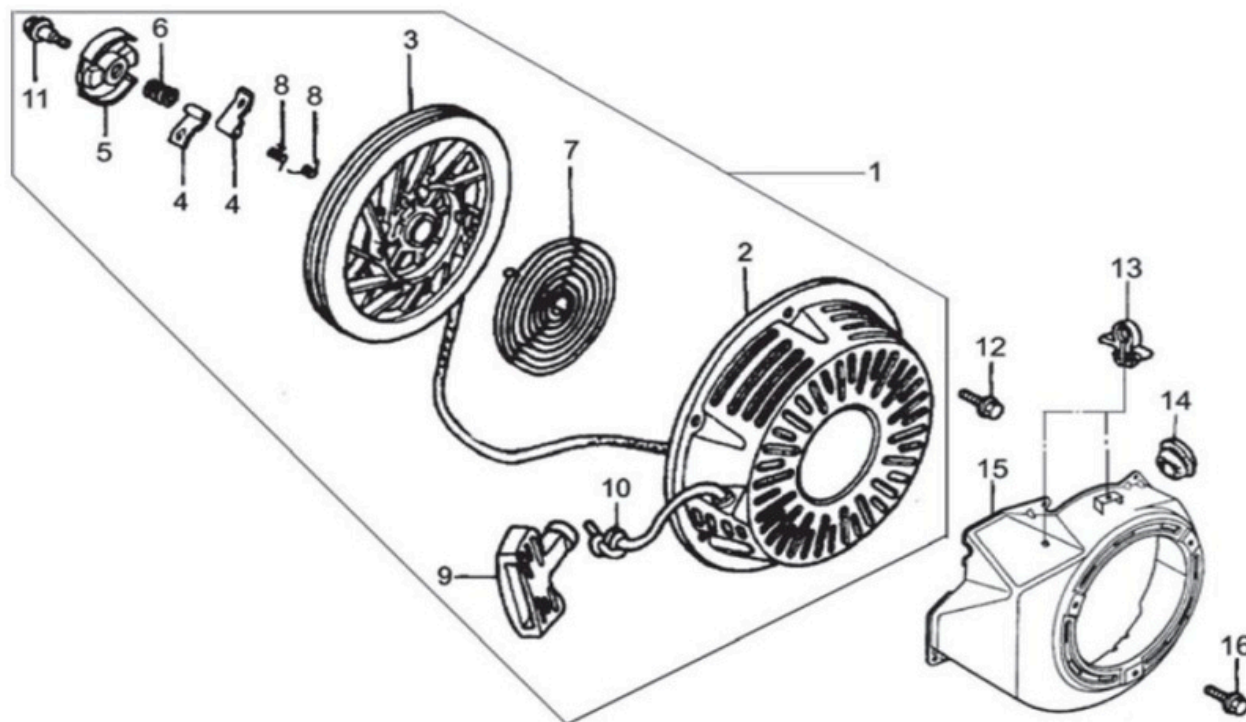
N°	PARTE N°	DESCRIPCIÓN	CANT.
41	GB896-86	Washer 4mm	1
42	GB896-86	Washer 7mm	1
43	16937/168F	Tube clip	1
44	17414/173F-AV	Hose A	1
45	17415/173F-AV	Hose B	2
46	16254/188F-AV	Main metering jet	1
47	16214/173F	Gasket, screw	1
48	16250/188F-AV	Mixture chamber body	1
49	17410/173F-AV	Check valve assy	2
50	16216/173F-AV	Washer, plug	2
51	16176/173F-AV	Gasket, carburetor magnetic valve	2
52	GB93-87	Spring washer 5 mm	1
53	GB97.1-85	Flat washer 5mm	1



N°	PARTE N°	DESCRIPCIÓN	CANT.
1	27300/182F	Kick starter	1
2	27380/182F	Casting	1
3	27351/182F	Starting roller	1
4	27331/173F	Ratchet	4
5	27341/173F	Spring lid	1
6	27311/173F	Friction spring	1
7	27319/182F	Spiral spring	1
8	27312/173F	Spring, ratchet	2

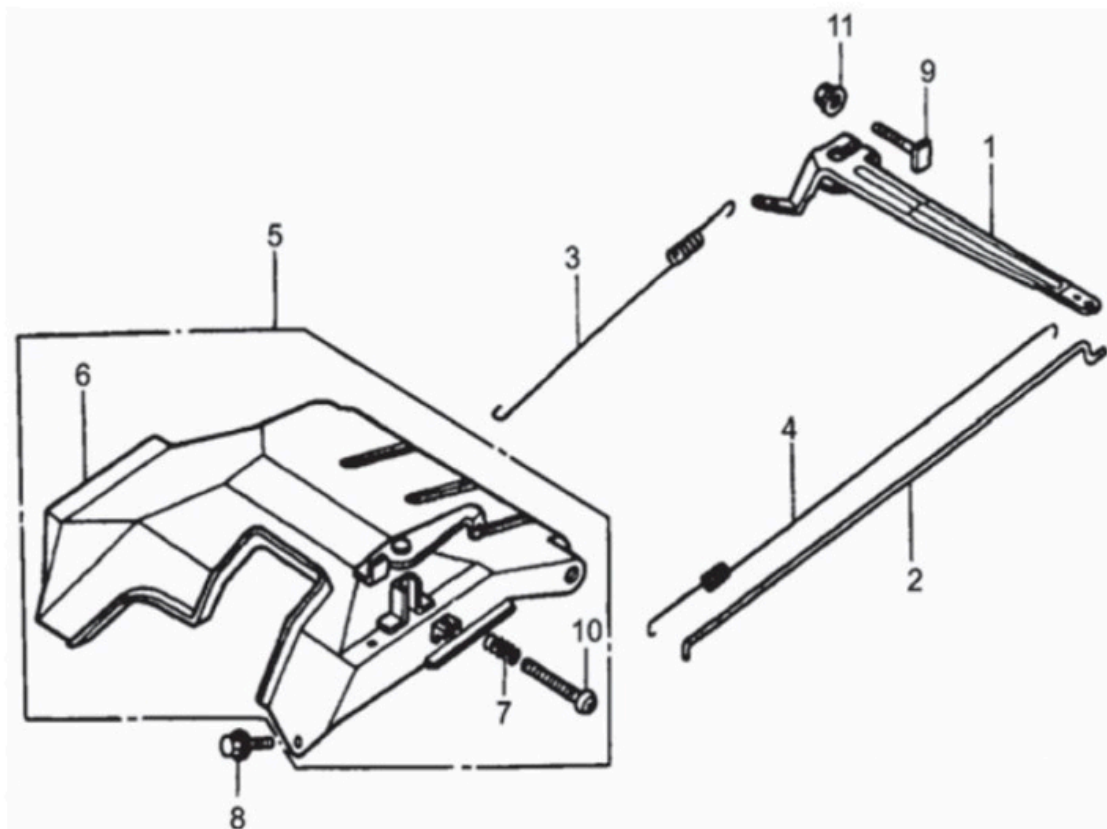


N°	PARTE N°	DESCRIPCIÓN	CANT.
9	27361/173F	Handle	1
10	27313/182F	Rope	1
11	27315/173F	Set screw	1
12	GB5787-86	Screw M6 x 8	3
13	32218/173F-AV	Wire clamp B	2
14	19715/168F	Grommet	1
15	19710/182F-AV	Fan case	1
16	GB5787-86	Screw M6 x 12	5

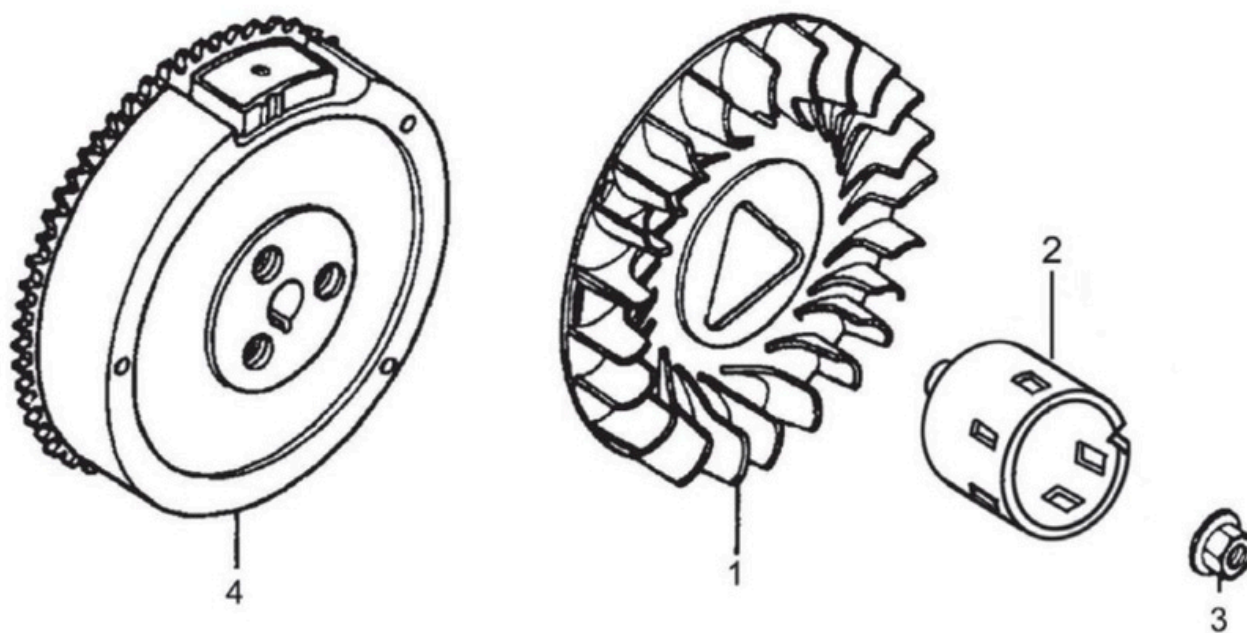


N°	PARTE N°	DESCRIPCIÓN	CANT.
9	27361/173F	Handle	1
10	27313/182F	Rope	1
11	27315/173F	Set screw	1
12	GB5787-86	Screw M6 x 8	3
13	32218/173F-AV	Wire clamp B	2
14	19715/168F	Grommet	1
15	19710/182F-AV	Fan case	1
16	GB5787-86	Screw M6 x 12	5

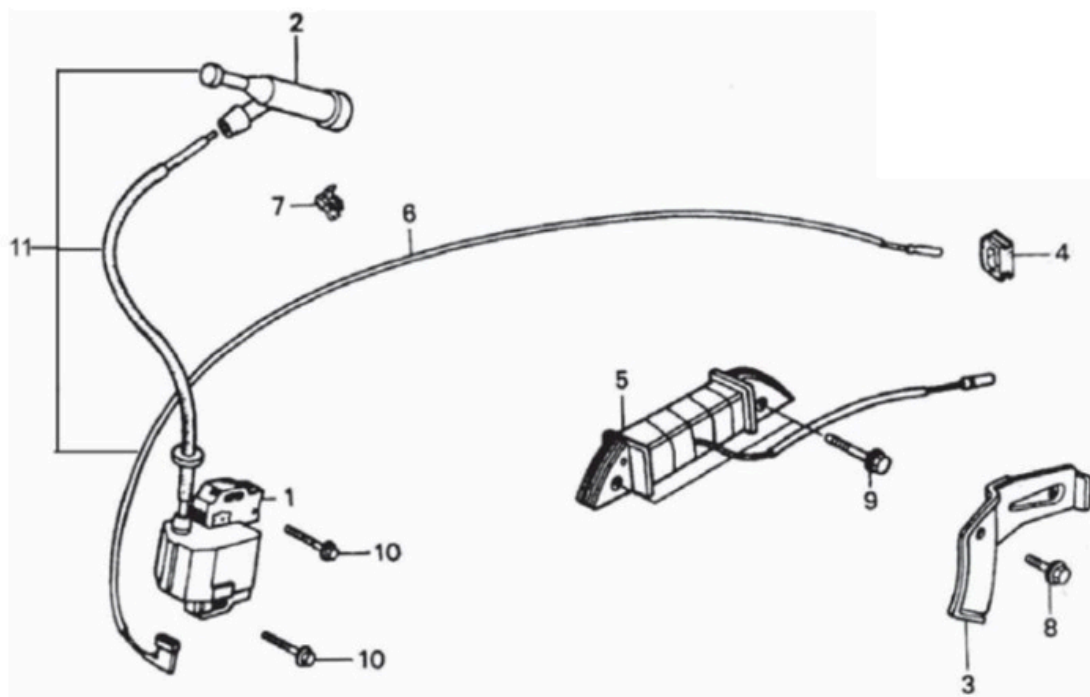
REGULATING CONTROL SYSTEM



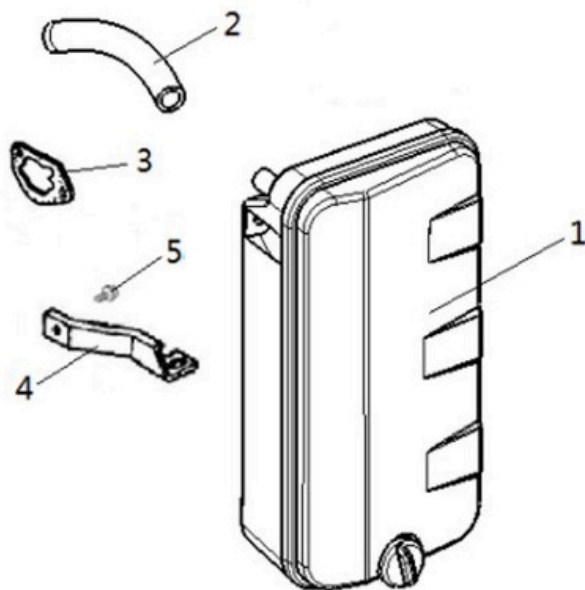
N°	PARTE N°	DESCRIPCIÓN	CANT.
1	26331/182F	Regulating arm	1
2	26341/182F	Pulling rod	1
3	26363/182F	Back spring	1
4	26364/182F	Fine regulating spring	1
5	26420/182F-AV	Supporting plate set	1
6	26421/182F-AV	Supporting plate	1
7	26415/168F	Regulating spring	1
8	GB5787-86	Bolt M6 x 12	2
9	26362/168F	Lock bolt	1
10	GB818-85-H	Screw M5 x 35	1
11	GB6177-86	Nut M6	1



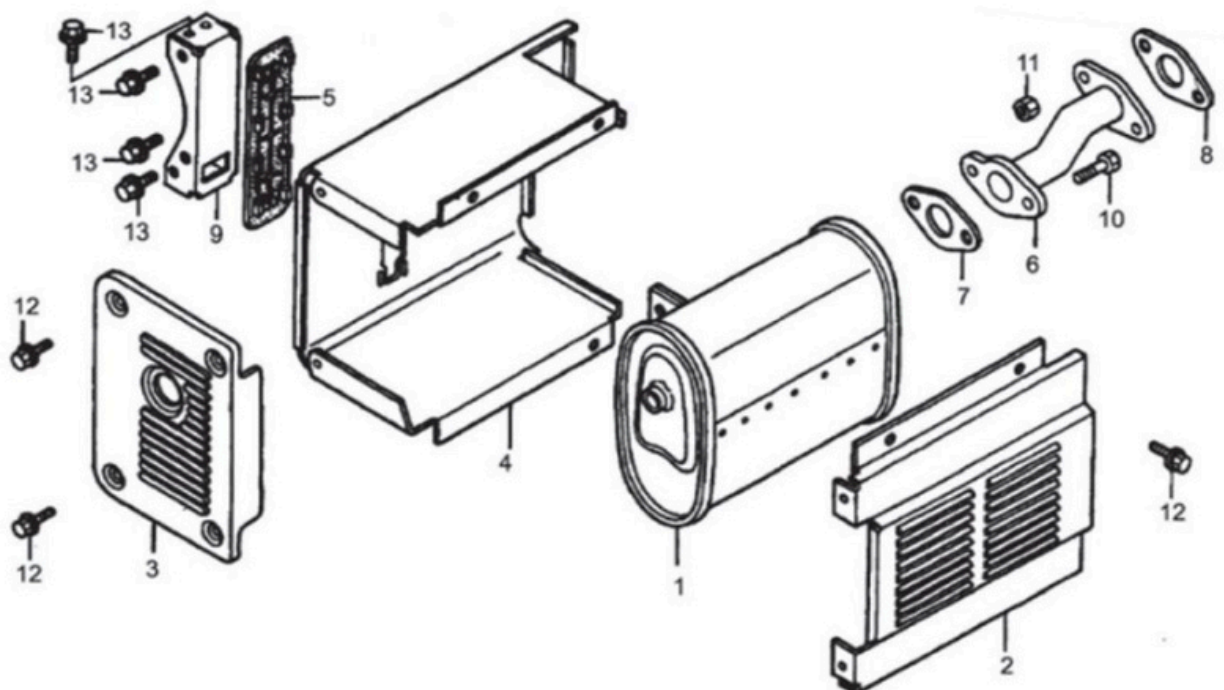
N°	PARTE N°	DESCRIPCIÓN	CANT.
1	19722/182F	Flywheel fan	1
2	27371/182F	Starting falange	1
3	27515/173F	Nut M16 x 1.25	1
4	27500/182F-AS	Flywheel	1



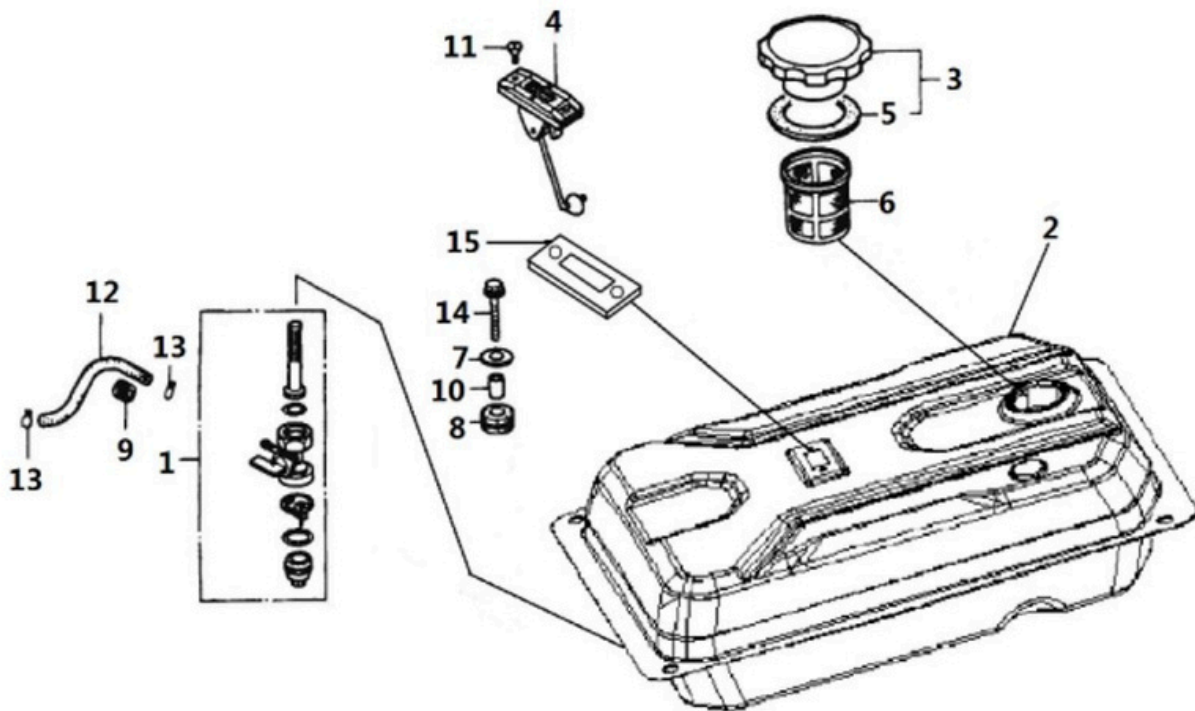
N°	PARTE N°	DESCRIPCIÓN	CANT.
1	34510/182	Ignition coil	1
2	34310/173F	Spark plug cap	1
3	32213/182F-AS	Clamper, cord	1
4	11124/173F	Rubber ring, crankcase	1
5	31250/182F-AS	Charge coil	1
6	34410/182F	Extinguishing cable	1
7	32212/173F	Cable tie	1
8	GB5787-86	Bolt M6 x 12	1
9	GB5787-86	Bolt M6 x 35	2
10	GB5787-86	Bolt M6 x 30	2
11	34500/182F	Ignition coil unit	1



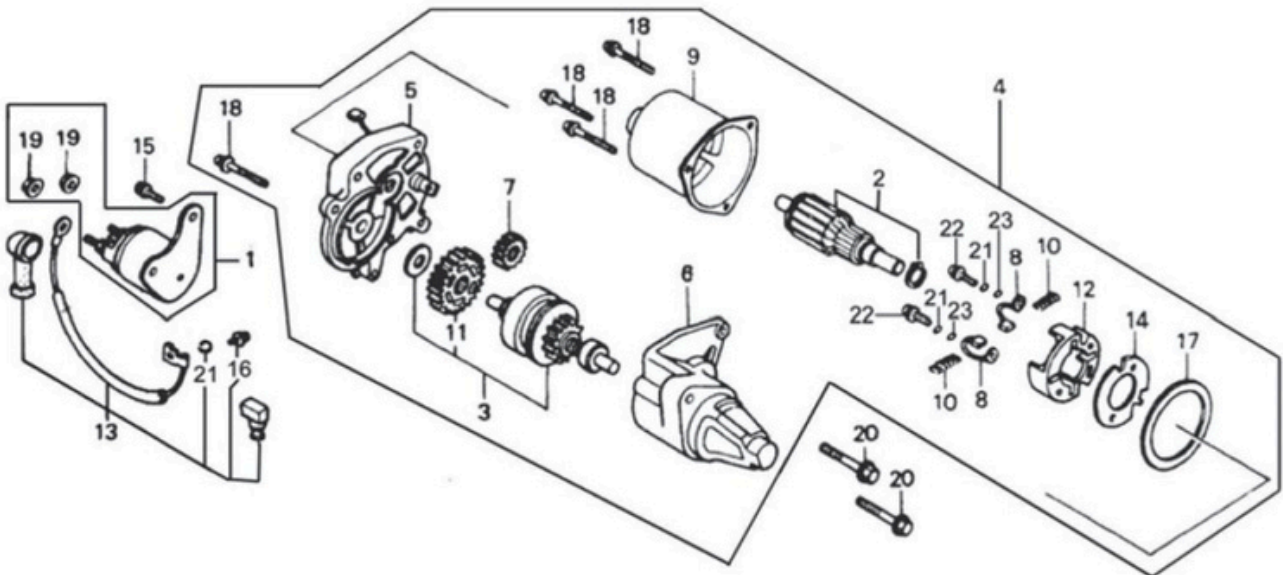
N°	PARTE N°	DESCRIPCIÓN	CANT.
1	17100-BC130	Air cleaner assy	1
2	19143	Air duct	1
3	17113-A0810	Gasket, air cleaner	1
4	117233-BF130	Air cleaner stay	1
5	T152-0019	Bolt M6 x 12	1



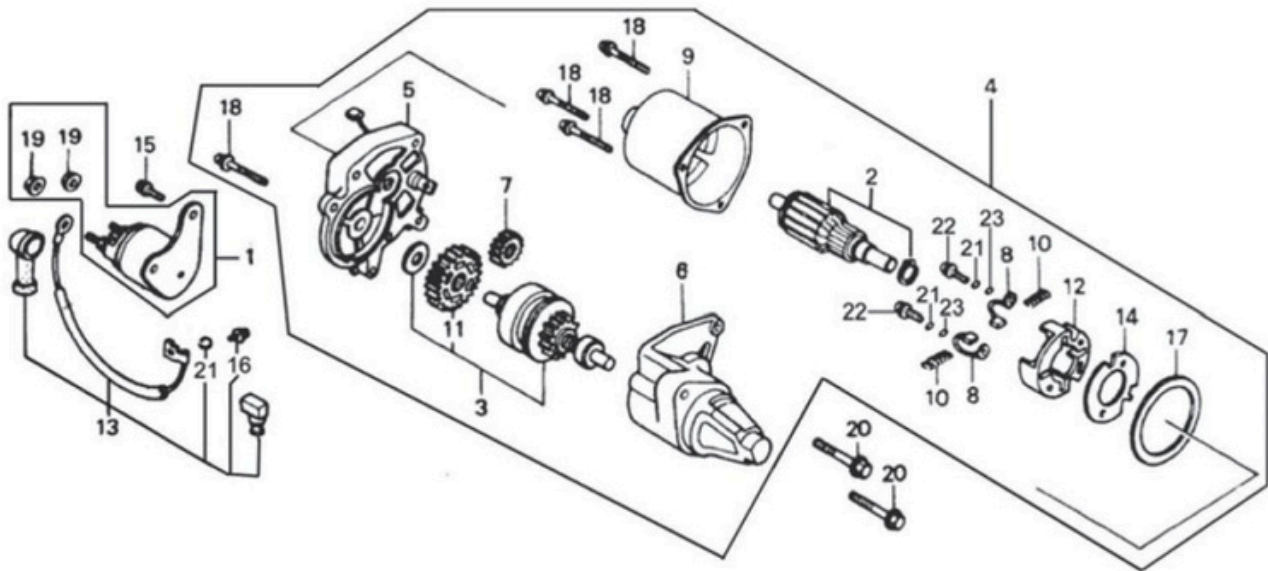
N°	PARTE N°	DESCRIPCIÓN	CANT.
1	18300/188F-AV	Muffler	1
2	18620/2.8GF-3	Outer hood	1
3	18631/2.8GF-3	Side hood	2
4	18610/5GF-3	Inner hood	1
5	18615/2.8GF-3	Gasket, inner hood	1
6	18111/182F-AV	Exhaust pipe	1
7	18221/173F-AV	Gasket, exhaust pipe	2
8	12255/173F	Gasket, outlet	1
9	18710/2.8GF-3	Muffler stay	1
10	GB5787-86	Falange bolt M8 x 25	2
11	GB6187-86	Nut M8	2
12	GB5787-86	Falange bolt M6 x 12	7
13	GB5787-86	Falange bolt M8 x 16	4



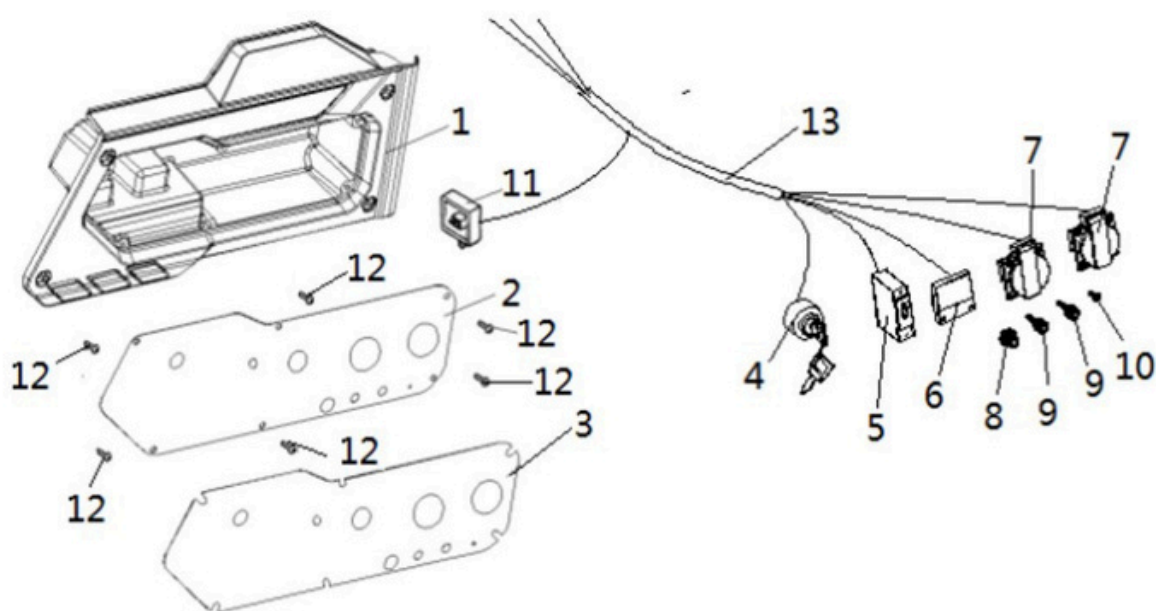
N°	PARTE N°	DESCRIPCIÓN	CANT.
1	16640-B9130	Fuel cock	1
2	16510-BG1Y1	Fuel tank	1
3	16400-B9130	Fuel filler cap comp.	1
4	16560-BC130	Fuel sensor	1
5	16414-B9130	Packing ring	1
6	16610	Fuel filler	1
7	16546-B9130	Washer	4
8	16911-B9130	Cushion	4
9	16933	Grommet	1
10	16914-B9130	Fitting brush, fuel tank	4
11	T210-0005	Screw M5 x 10	2
12	16621-A0710	Outlet pipe ($\varnothing 8.5 \times \varnothing 4.5 \times 180$)	1
13	16622-A0710	Tube clip	2
14	T152-0033	Falange bolt M6 x 22	4
15	37825	Gasket, fuel sensor	1



N°	PARTE N°	DESCRIPCIÓN	CANT.
1	38200/182F-AS	Relay, start-up	1
2	28610/182F-AS	Rotor comp	1
3	28100/182F-AS	Starting clutch	1
4	28000/182F-AS	Starting motor assy	1
5	28650/182F-AS	Base, starting	1
6	28110/182F-AS	Housing, starting clouch	1
7	28311/182F-AS	Driven gear	1
8	28630/182F-AS	Brush comp	4
9	28620/182F-AS	Stator assy	1
10	28631/182F-AS	Spring, bruch	4
11	28321/182F-AS	Reducing gear	1
12	28641/182F-AS	Stay, brush	1

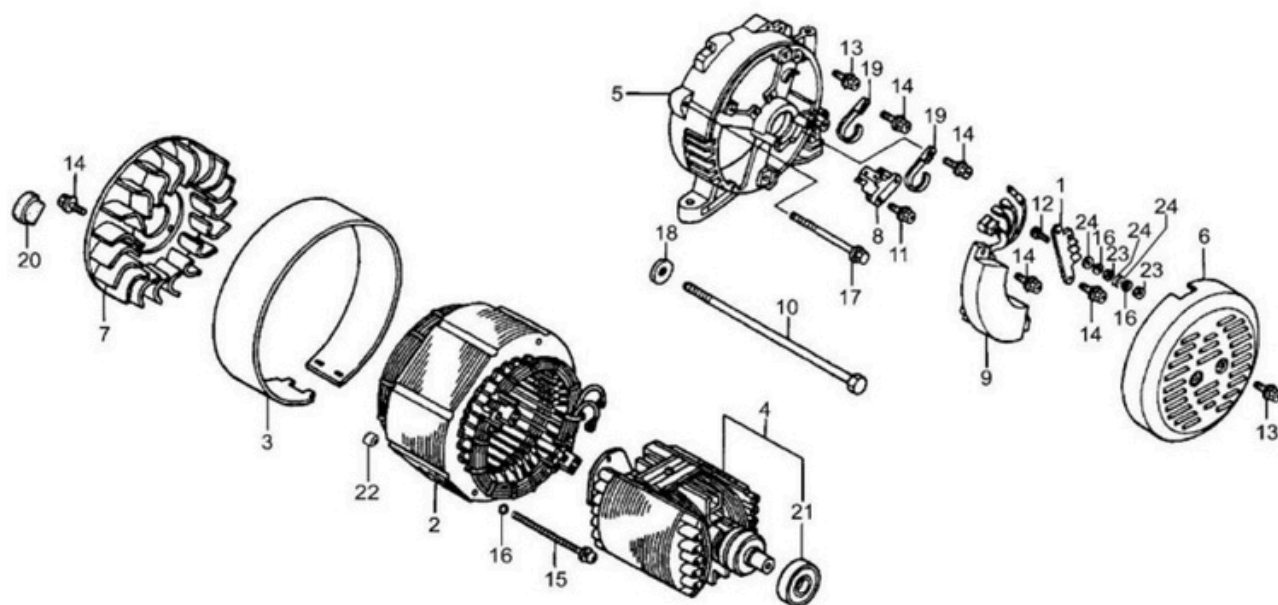


N°	PARTE N°	DESCRIPCIÓN	CANT.
13	32160/182F-AS	Cable, starig motor	1
14	28632/182F-AS	Insulator	1
15	31996/2GF-3	Bolt M5 x 14	2
16	GB818/85	Screw M4 x 6	1
17	28651/182F-AS	Packing ring	1
18	GB818/85	Screw M5 x 32	4
19	GB6170-86	Nut M6	2
20	GB5787-86	Bolt M8 x 35	2
21	GB93-87	Spring washer 4 mm	3
22	GB818-85	Screw M4 x 14	2
23	GB97.1-85	Washer 4 mm	2



N°	PARTE N°	DESCRIPCIÓN	CANT.
1	31251-BG1Y1	Control panel rear cover	1
2	31211-BG1Y1	Control plate	1
3	91122-BG1Y1	Panel switch mark	1
4	31225-B9140	Ignition switch	1
5	31221-BG1Y1	Circuit protector	1
6	32226-B9130	Voltmeter	1
7	31223-B9130	Consent	2
8	31218-BG1Y1	Protector	1
9	31219-BG1Y1	DC terminal set	2
10	31222-BG1Y1	Earth terminal set	1
11	317330	Bridge con	1
12	31153	M5 x 12	6
13	31340-BG1Y1	Main wire harness assy	1

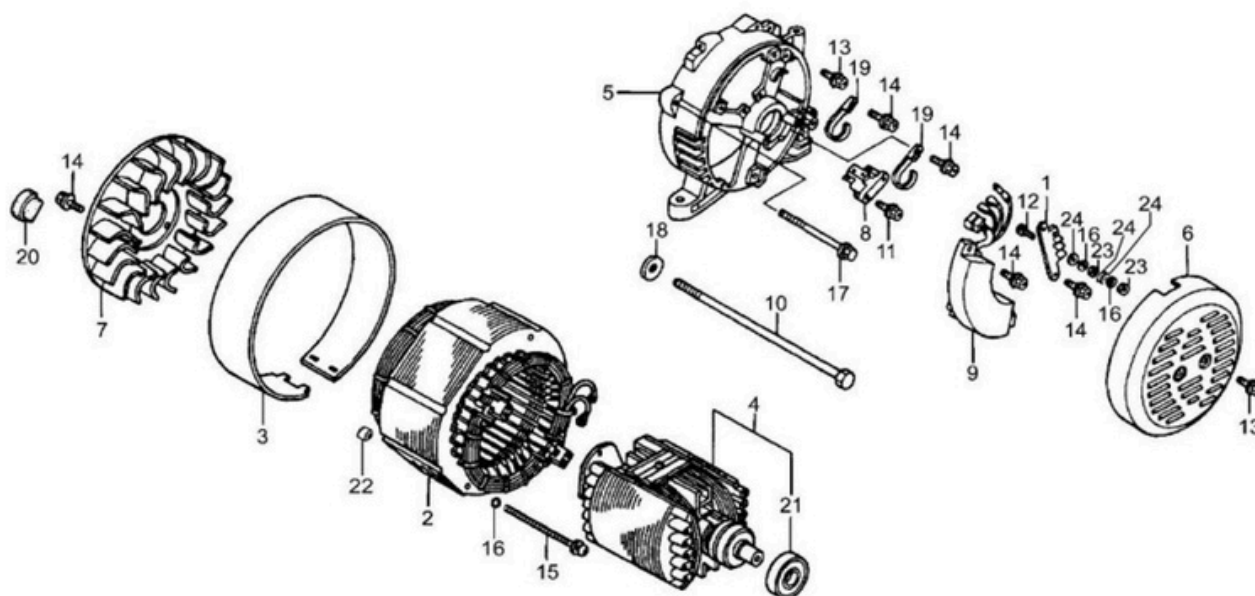
G-02 GENERATOR



MANUAL PARTES - GENERADOR 8000E - X17

N°	PARTE N°	DESCRIPCIÓN	CANT.
1	31415/2.8GF-3	Connecting	1
2	31200/8000E	Stator assy	1
3	31936/5GF-3	Stator cover	1
4	31100/8000E	Rotor assy	1
5	31411/2.8GF-3	Generator stay	1
6	31938/2.8GF-3	Generator end cover	1
7	31141/8000E	Generator fan	1
8	31370/8000E	Brush assy	1
9	31600/8000E	Voltage regulator	1
10	31933/5GF-3	Bolt M10 x 265	1
11	31997/2.8GF-3	Screw M5 x 18	1
12	GB5783-86	Bolt M5 x 20	2

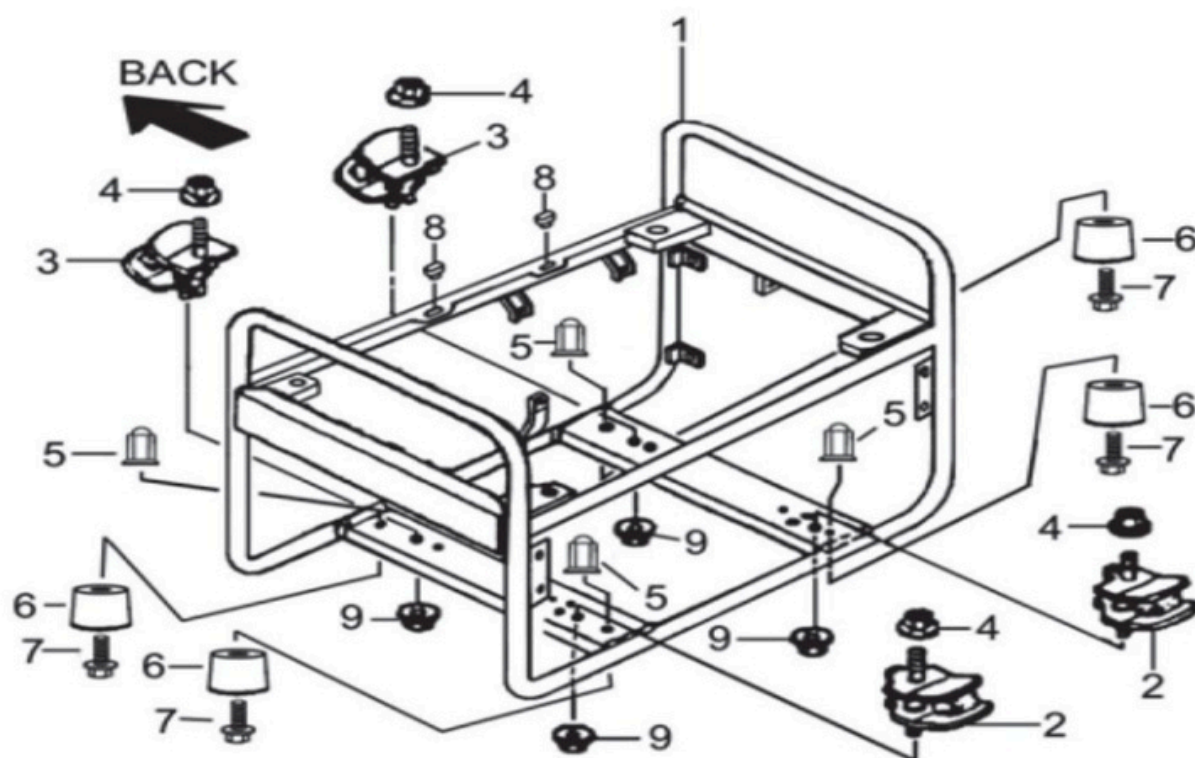
G-02 GENERATOR



MANUAL PARTES - GENERADOR 8000E - X17

N°	PARTE N°	DESCRIPCIÓN	CANT.
13	31995/2GF-3	Screw M5 x 12	3
14	31996/2GF-3	Screw M5 x 14	9
15	31414/5GF-3	Screw M5 x 213	2
16	GB93-87	Spring washer 5 mm	6
17	31931/5GF-3	Bolt M6 x 175	4
18	31134/2.8GF-3	Plain washer	1
19	32216/2.8GF-3	Clip A	2
20	11325/2.8GF-3	Plug, sump	1
21	GB276-94	Bearing 6204-2ZN	1
22	31932/2.8GF-3	Nut M5	2
23	GB6170-86	Nut M5	4
24	GB97.1-85	Washer 5mm	6

G-03 *FRAME*



MANUAL PARTES - GENERADOR 8000E - X17

N°	PARTE N°	DESCRIPCIÓN	CANT.
1	4110/5GF-3	Frame comp	1
2	41310/4GF-3	Bottom rubber A	2
3	41320/2.8GF-3	Bottom rubber	2
4	GB6177-86	Nut M10	4
5	GB802-88	Nut M6	4
6	41350/2GF-3	Cushion, frame	4
7	GB5787-86	Bolt M6 x 12	4
8	41116/2GF-3	Rubber pad, frame	2
9	GB6177-86	Nut M8	4



Serviconstructor

GRUPO ESPECIALIZADO EN SERVICIO Y EQUIPO LIGERO PARA EL CONSTRUCTOR S.A DE C.V.

**Renta, Venta, Reparación y
Refacciones**

**Suc. Veracruz Tel. 229-9376429
Suc. Córdoba Tel 271-7169710
Centro de Servicio Tel. 229-1083**

<https://www.serviconstructor.com.mx>