

MPOWER



MANUAL DE PARTES GENERADOR 3.5 KW 3500



ENERGÍA

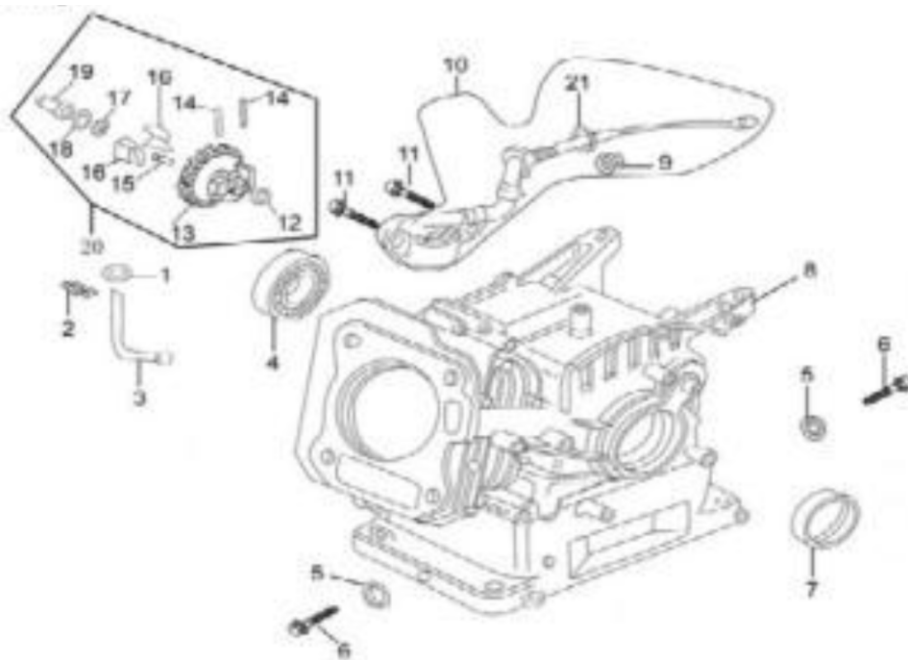


www.mpower.com.mx

GENERADOR 3.5 KW 3500

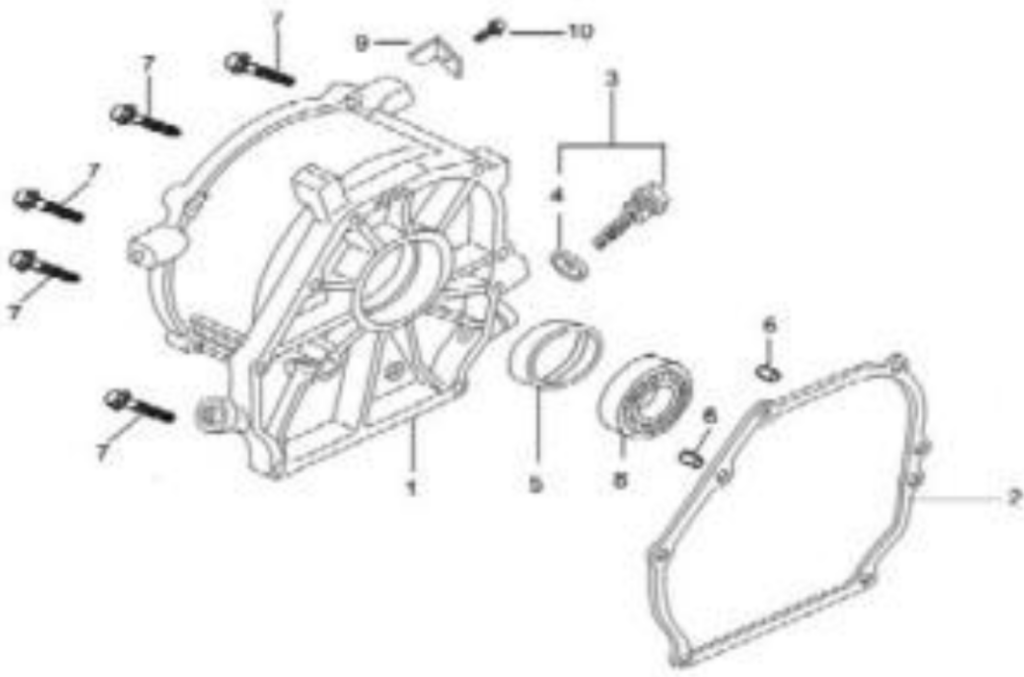
E-1	▶ CRANKCASE ASSY	PAG 03
E-2	▶ CRANKCASE COVER ASSY.....	PAG 04
E-3	▶ CYLINDER HEAD & CYLINDER HEAD COVER ASSY	PAG 05
E-4	▶ CRANKSHAFT, PISTON & CONNECTING ROD	PAG 06
E-5	▶ COMBINATION OF CAMSHAFT & VALVE ROCKER	PAG 07
E-6	▶ CARBURETOR ASSY	PAG 08
E-7	▶ FAN COVER	PAG 09
E-8	▶ KICK STARTER	PAG 10
E-9	▶ REGULATING CONTROL SYSTEM	PAG 11
E-10	▶ FLYWHEEL	PAG 12
E-11	▶ IGNITION COIL	PAG 13
E-12	▶ AIR CLEANER ASSY	PAG 14
E-13	▶ MUFFLER ASSY	PAG 15
E-14	▶ FUEL TANK ASSY	PAG 16
G-01	▶ CONTROL PANEL	PAG 17
G-02	▶ GANERATOR	PAG 18
G-03	▶ FRAME	PAG 19
G-04	▶ TOOLS	PAG 20

**CRANKCASE ASSY
FIGURA 1/TABLA 1**



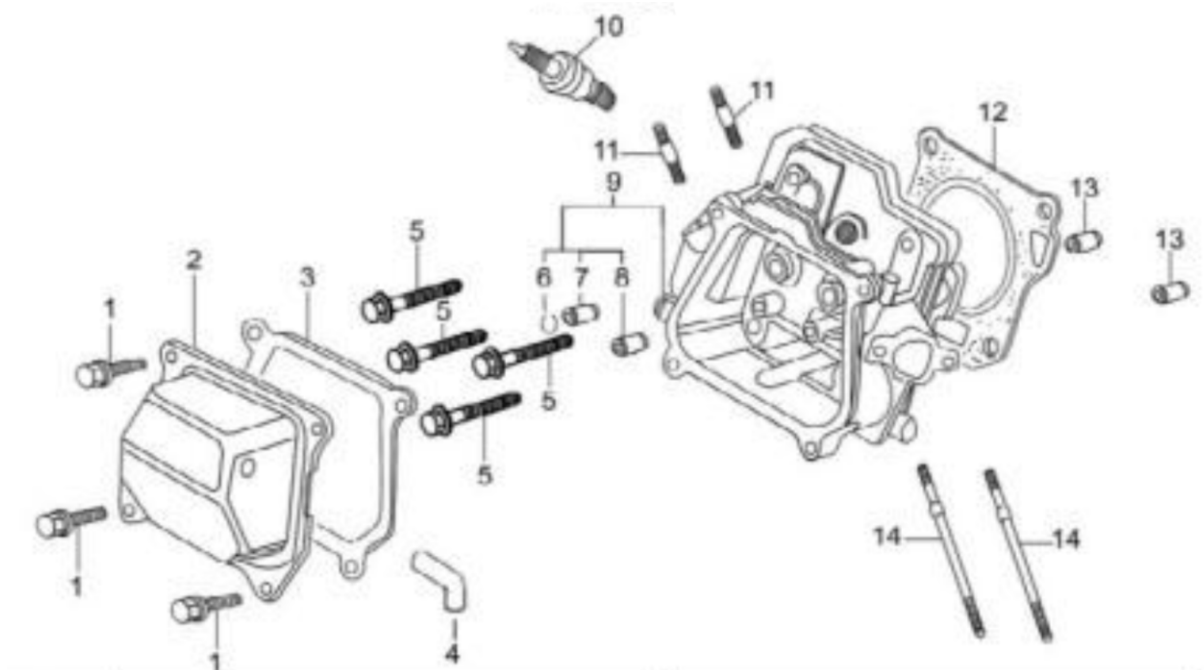
ITEM	PART NO.	DESCRIPTION	QTY.
1	26329/168F	WASHER	1
2	26321/168F	SPLIT PIN	1
3	26311/168F	REGULATING SWAY BAR	1
4	GB276-89	BEARING 6205	1
5	11213/168F	WASHER	2
6	11212/168F	DRAIN PLUG	2
7	13180/168F	OIL SEAL, CRANKSHAFT	1
8	11100/168F	CRANKCASE	1
9	GB6177-86	NUT M10	1
10	37810/168F	OIL SENSOR	1
11	GB5787-86	BOLT M6 X 12	2
12	25165/168F	WASHER, DRIVEN GEAR	1
13	25121/168F	DRIVEN GEAR, REGULATOR	1
14	25163/168F	PIN	2
15	25151/168F	REGULATING SHAFT	1
16	25141/168F	FLYING BLOCK	2
17	25164/168F	SNAP RING	1
18	25132/168F	WASHER	1
19	25131/168F	SLIDING SLEEVE	1
20	25120/168F	DRIVEN GEAR, REGULATOR ASSY	1
21	GB3452.1-92	O-RING 13 X 1.4	1

**CRANKCASE COVER ASSY
FIGURA 2/TABLA 2**



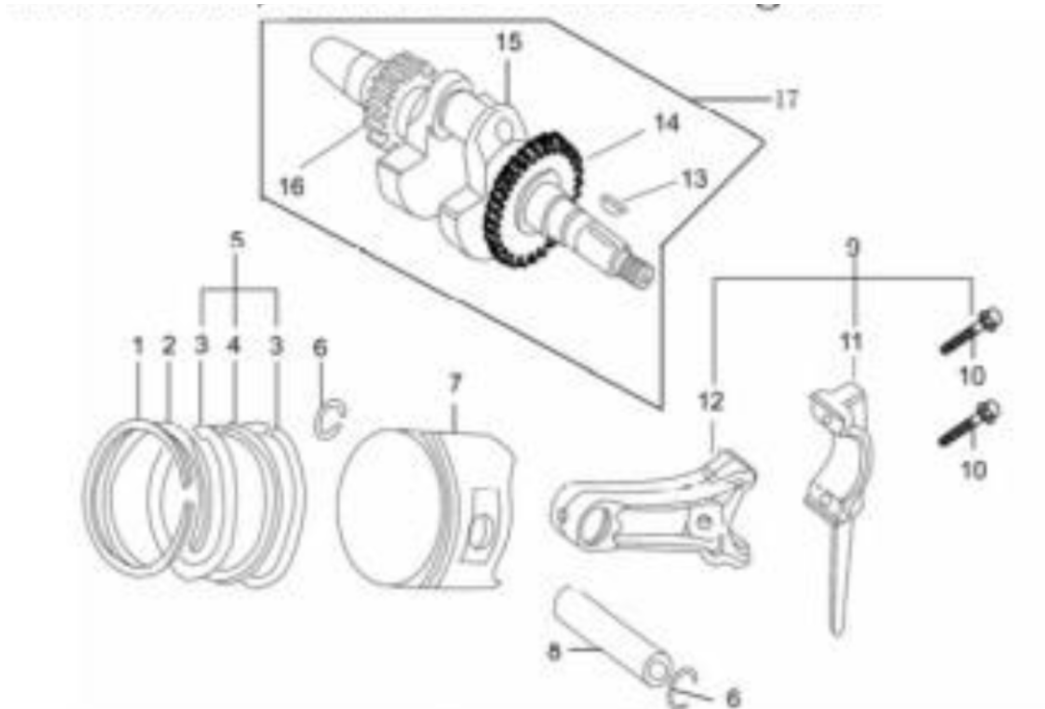
ITEM	PART NO.	DESCRIPTION	QTY.
1	113311/168F-BV	CRANK CASE COVER	1
2	11119/168F	GASKET, CRANKCASE	1
3	15610/168F	DIPSTICK WITH SEAL	1
4	15612/168F	SEAL	1
5	13180/168F	OIL SEAL, CRANKSHAFT	1
6	11118/168F	SET PIN	2
7	GB5787-86	BOLT M8 X 32	6
8	GB276-89	BEARING 6205	1
9	11331	DUST PLATE	1
10	GB5787-86	BOLT M6 X 12	1

**CYLINDER HEAD & CYLINDER HEAD COVER ASSY
FIGURA 3/TABLA 3**



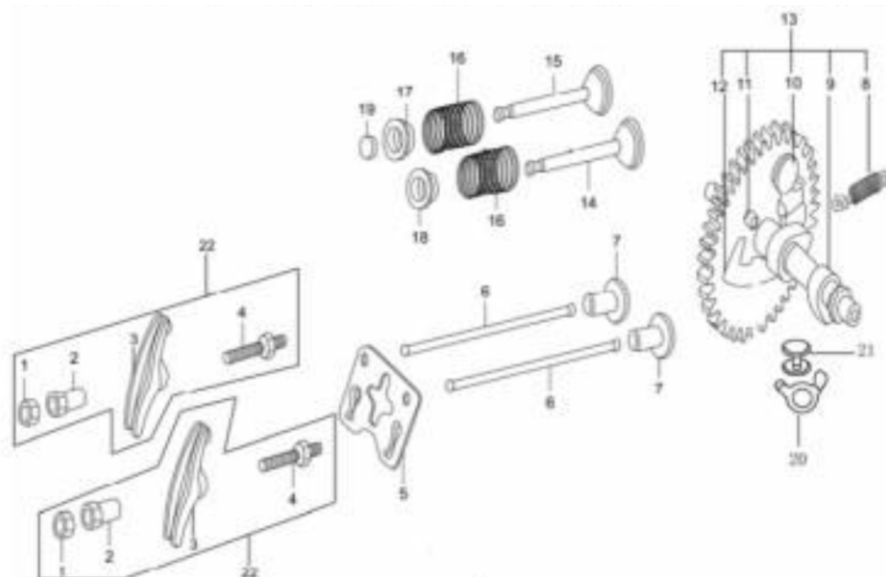
ITEM	PART NO.	DESCRIPTION	QTY.
1	GB5787-86	BOLT M6 X 12	4
2	123010/168F	CYLINDER HEAD COVER ASSY	1
3	123012/168F	GASKET, CYLINDER HEAD COVER	1
4	20651/168F-BV	AIR DUCK	1
5	12256/168F	FLANGE BOLT	4
6	12219/168F	CIRCIPI	1
7	12215/168F	EXHAUST VALVE GUIDE	1
8	12214/168F	INTAKE VALVE GUIDE	1
9	12210/168F	CYLINDER HEAD ASSY	1
10	34200/168F	SPARK PLUG F6RTCUC	1
11	12253/168F	STUD M8 X 34	2
12	12221/168F	GASKET, CYLINDER HEAD	1
13	12218/168F	SET PIN 10 X16	2
14	12252/168F-BV	STUD M6 X 96	2

**CRANKSHAFT, PISTON & CONNECTING ROD
FIGURA 4/TABLA 4**



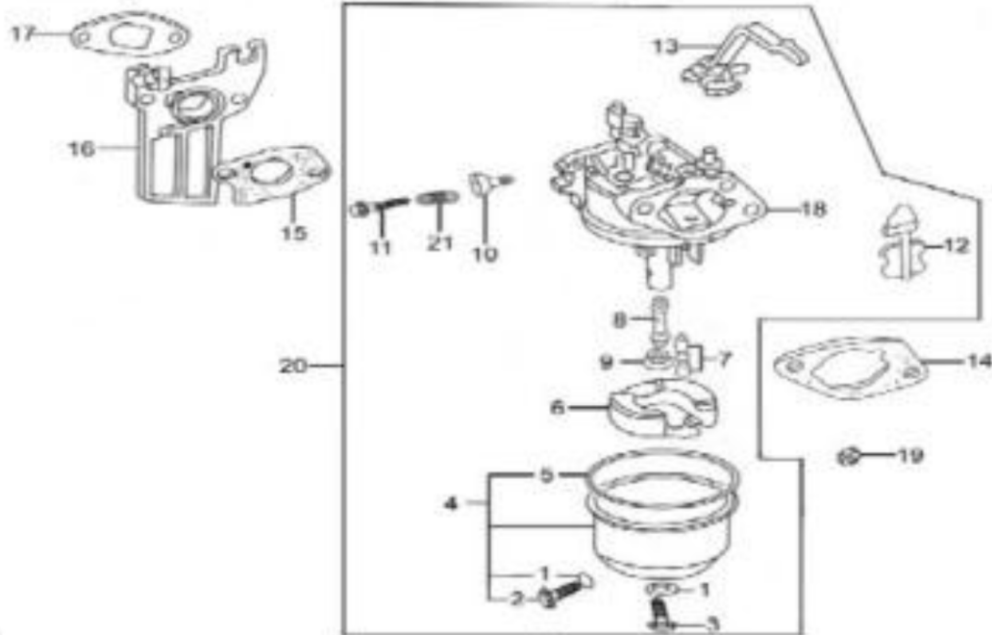
ITEM	PART NO.	DESCRIPTION	QTY.
1	13311/168F	PISTON RING (I)	1
2	13312/168F	PISTON RING (II)	1
3	13322/168F	SIDE RAIL	2
4	13321/168F	WAVE RING	1
5	13300/168F	PISTON RING SET	1
6	13222/168F	PISTON RING CIRCLIP	1
7	13211/168F	PISTON	2
8	13221/168F	PISTON PIN	1
9	13130/168F	CONNECTING ROD ASSY	1
10	13133/168F	BOLT	1
11	13132/168F	TIE-ROD COVER	1
12	13131/168F	TIE-ROD	2
13	13118/168F	WOODRUFF KEY	1
14	25111/168F	DRIVE GEAR	1
15	13111/168F	CRANKSHAFT	1
16	14211/168F	TIMING DRIVING GEAR	1
17	13110/168F-BV	CRANKSHAFT ASSY	1

**COMBINATION OF CAM SHAFT & VALVE ROCKER
FIGURA 5/TABLA 5**



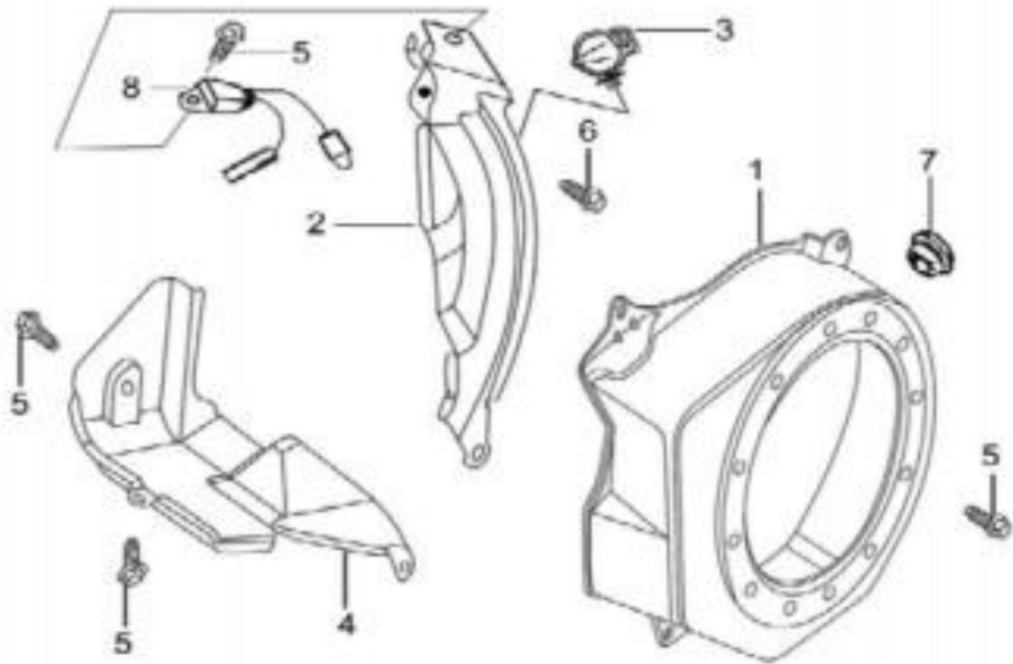
ITEM	PART NO.	DESCRIPTION	QTY.
1	14416/168F	LOCK NUT	2
2	14413/168F	SLEEVE	2
3	14411/168F	VALVE ROCKER	2
4	14415/168F	ADJUSTING BOLT FOR VALVE GAP	2
5	14261/168F	PUSHER GUIDE	1
6	14250/168F	PUSHER	2
7	14455/168F	TAPPET	2
8	14146/168F	EXTENSION SPRING	1
9	14111/168F	CAMSHAFT	1
10	14149/168F	PIN	1
11	14118/168F	SPRING HANG PIN	1
12	14140/168F	AUTO-REDUCTOR SUBASSEMBLY	1
13	14100/168F	CAMSHAFT ASSY	1
14	14711/168F	INTAKE VALVE	1
15	14721/168F	EXHAUST VALVE	1
16	14755/168F	VALVE SPRING	2
17	14757/168F	SPRING SEAT, EXHAUST VALVE	1
18	14751/168F	SPRING SEAT, INTAKE VALVE	1
19	14758/168F	CAP	1
20	14151/168F	LIMIT POSITION PANEL	1
21	14152/168F	PIN	1
22	14410/168F	VALVE ROCKER ASSY	2

**CARBURETOR ASSY
FIGURA 6/TABLA 6**



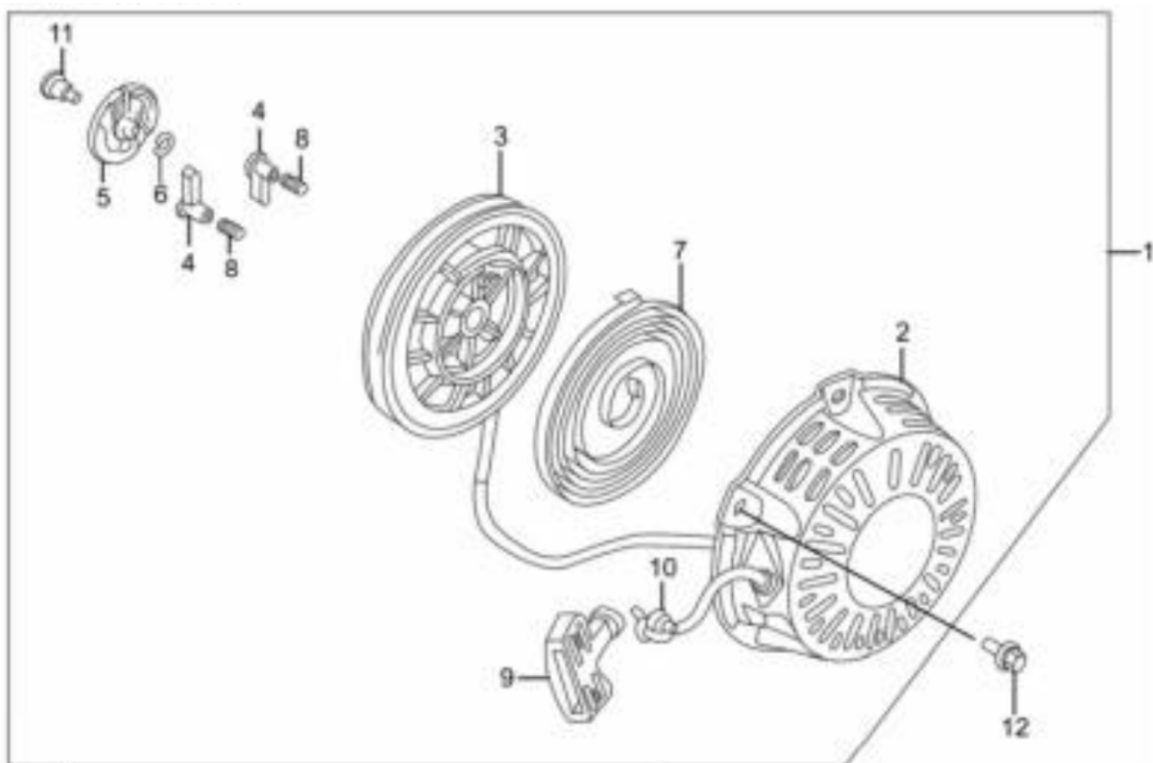
ITEM	PART NO.	DESCRIPTION	QTY.
1	16216/168F	WASHER	2
2	16215/168F	DRAIN PLUG, FLOAT CHAMBER	1
3	16213/168F	SCREW	1
4	16210/168F	FLOAT CHAMBER	1
5	16219/168F	GASKET, FLOAT CHAMBER	1
6	16230/168F	FLOAT	1
7	16240/168F	FLOAT NEEDLE	1
8	16251/168F-BW	PIPE, MAIN JET	1
9	16254/168F-BW	MAIN JET	1
10	16421/168F	IDLE ADJUSTMENT SCREW	1
11	16425/168F	MIXTURE ADJUSTMENT SCREW	1
12	16330/168F	CHOKE	1
13	16148/168F-BW	CHOKE SWITCH	1
14	17330/168F	GASKET, AIR CLEANER	1
15	16142/168F	GASKET, CARBURETOR	1
16	16141/168F	CONNECTING BLOCK, CARBURETOR	1
17	12254/168F	GASKET, INLET	1
18	16250/168F-BV	MIXTURE CHAMBER BODY	1
19	GB6177-86	NUT M6	2
20	16100/168F-BV	CARBURETOR	1
21	16422/168F	SPRING, MIXTURE ADJUSTMENT SCREW	1

**FAN COVER
FIGURA 7/TABLA 7**



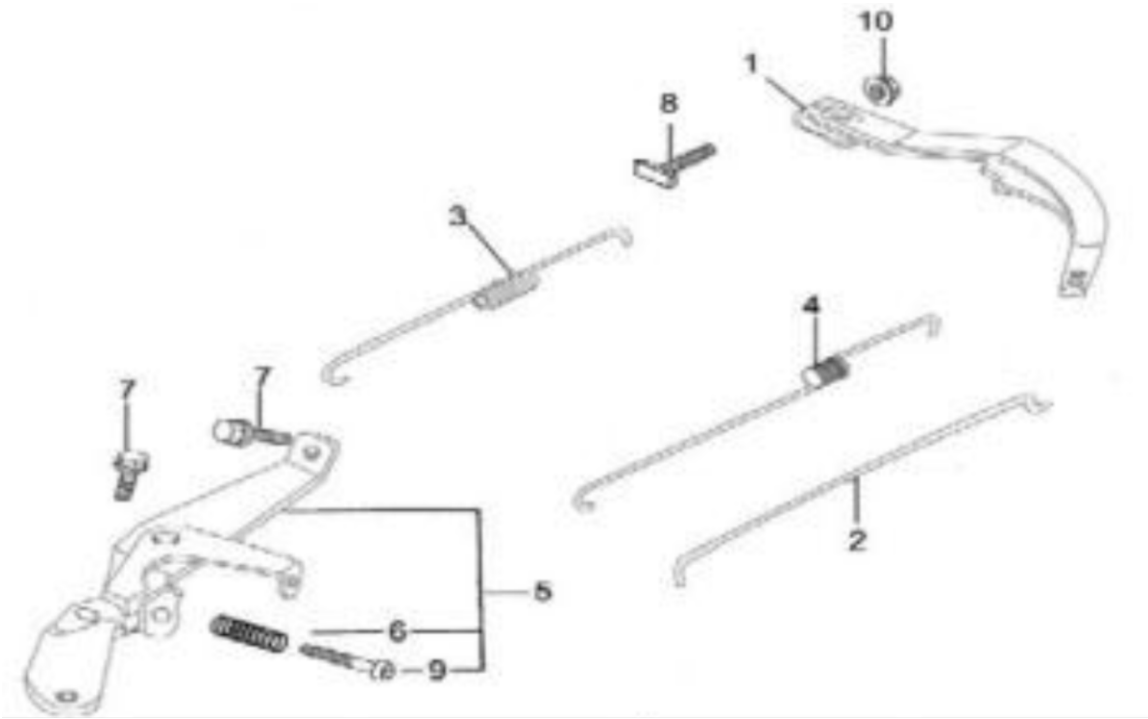
ITEM	PART NO.	DESCRIPTION	QTY.
1	19710/168F	FAN CASE	1
2	19820/168F	SIDE PLATE WELDMENT, CRANKCASE	1
3	32211/168F	PLASTIC CLIP	1
4	19721/168F	AIRHOOD	1
5	GB5787-66	SCREW M6 X 12	7
6	GB5787-66	SCREW M6 X 22	1
7	19715/168F-BV	GROMMET	1
8	37850/168F	DIODE	1

**KICK STARTER
FIGURA 8/TABLA 8**

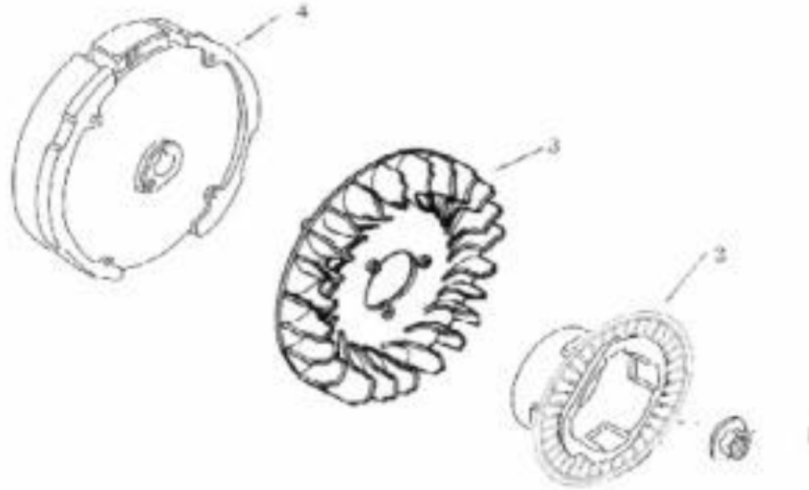


ITEM	PART NO.	DESCRIPTION	QTY.
1	27300/168F	KICK-STARTER	1
2	27380/168F	HOUSING	1
3	27351/168F	STARTING ROLLER	1
4	27331/168F	RATCHET	2
5	27341/168F	SPRING LID	1
6	27311/168F	FRICTION SPRING	1
7	27319/168F	SPIRAL SPRING	1
8	27312/168F	SPRING, RATCHET	2
9	27361/168F	HANDLE	1
10	27313/168F	ROPE	1
11	27315/168F	SET SCREW	1
12	GB5787-86	SCREW M5 X 8	3

**REGULATING CONTROL SYSTEM
FIGURA 9/TABLA 9**

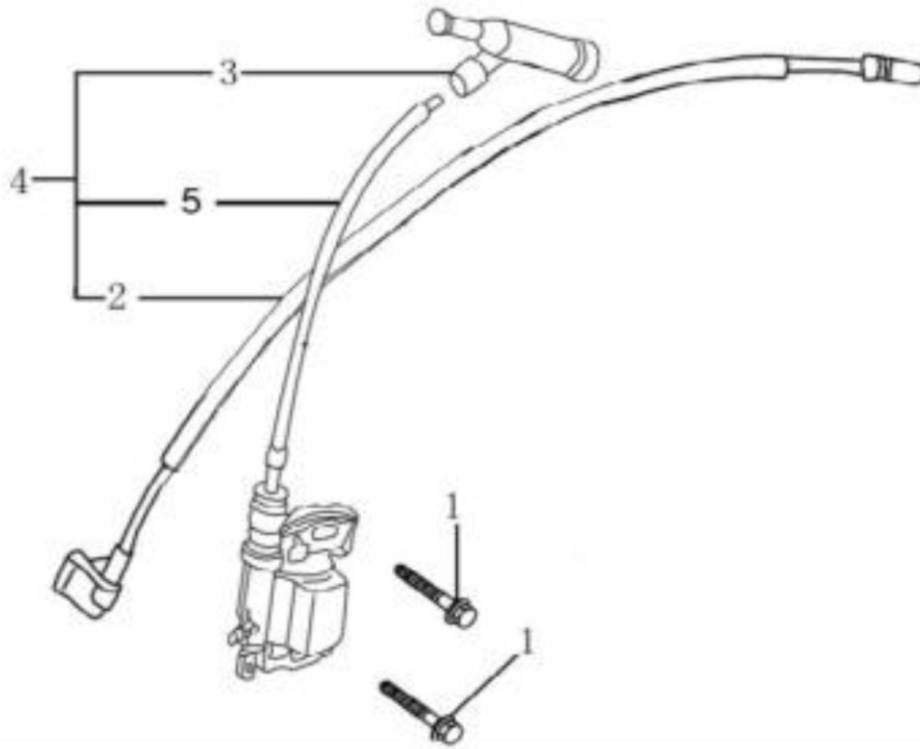


ITEM	PART NO.	DESCRIPTION	QTY.
1	26331/168F	REGULATING ARM	1
2	26341/168F	PULLING ROD	1
3	26363/168F	BACK SPRING	1
4	26364/168F	FINE REGULATING SPRING	1
5	26410/168F	REGULATING MOUNT	1
6	26415/168F	REGULATING SPRING	1
7	GB5787-86	BOLT M6 X 12	2
8	26362/168F	LOCK BOLT	1
9	GB818-85-H	SCREW M5 X 35	1
10	GB6177-86	NUT M6	1

**FLYWHEEL
FIGURA 10/TABLA 10**

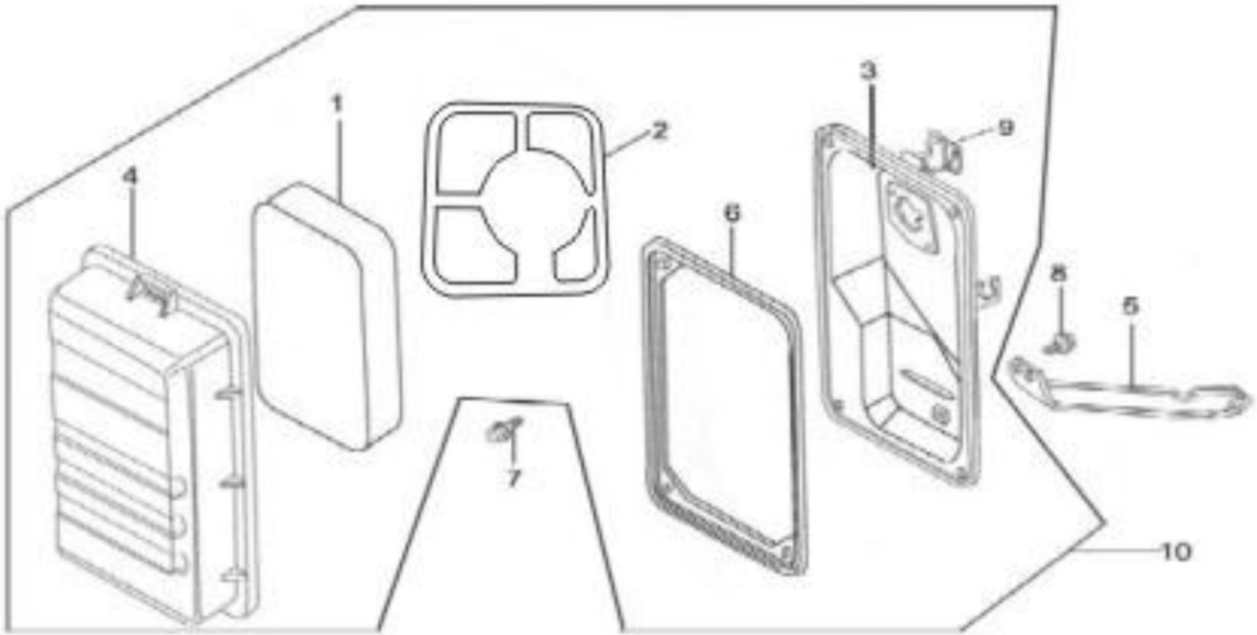
ITEM	PART NO.	DESCRIPTION	QTY.
1	27515/168F	NUT M14 X 1.5	1
2	27370/168F	STARTING FLANGE	1
3	19722/168F	FLYWHEEL FAN	1
4	27500/168F	FLYWHEEL	1

IGNITION COIL
FIGURA 11/TABLA 11



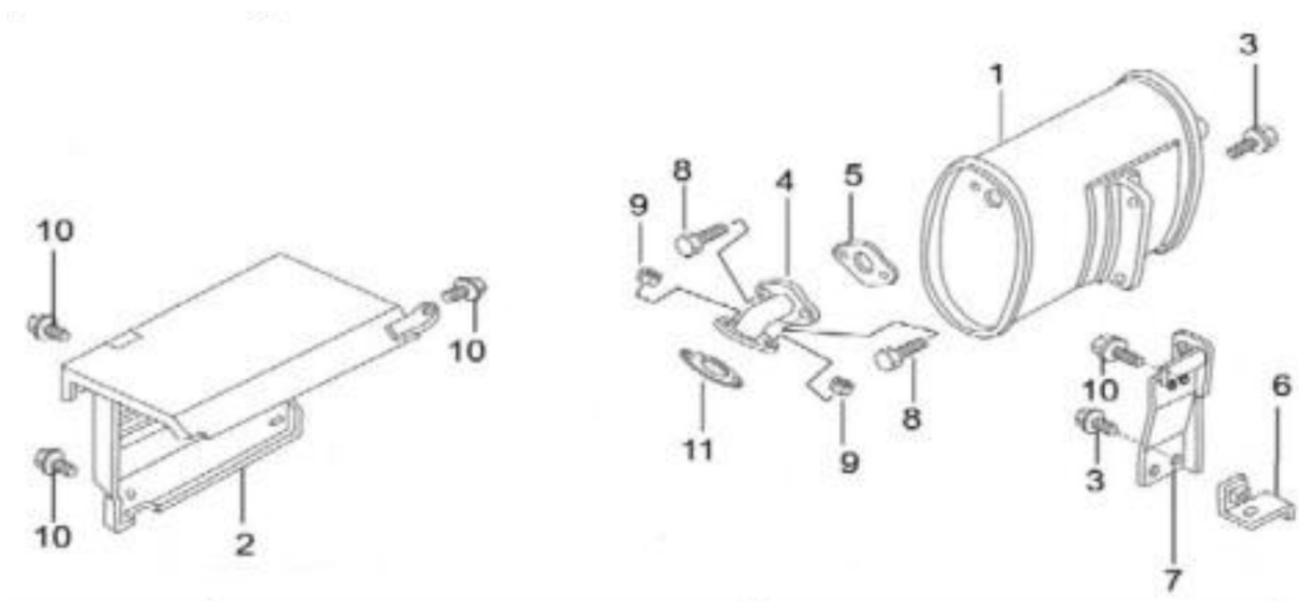
ITEM	PART NO.	DESCRIPTION	QTY.
1	GB5787-86	SCREW M6 X 22	2
2	34410/168F	EXTINGUISHING CABLE	1
3	34310/168F	SPARK PLUG CAP	1
4	34500/168F	IGNITION COIL UNIT	1
5	34510/168F	IGNITION COIL	1

**AIR CLEANER ASSY
FIGURA 12/TABLA 12**



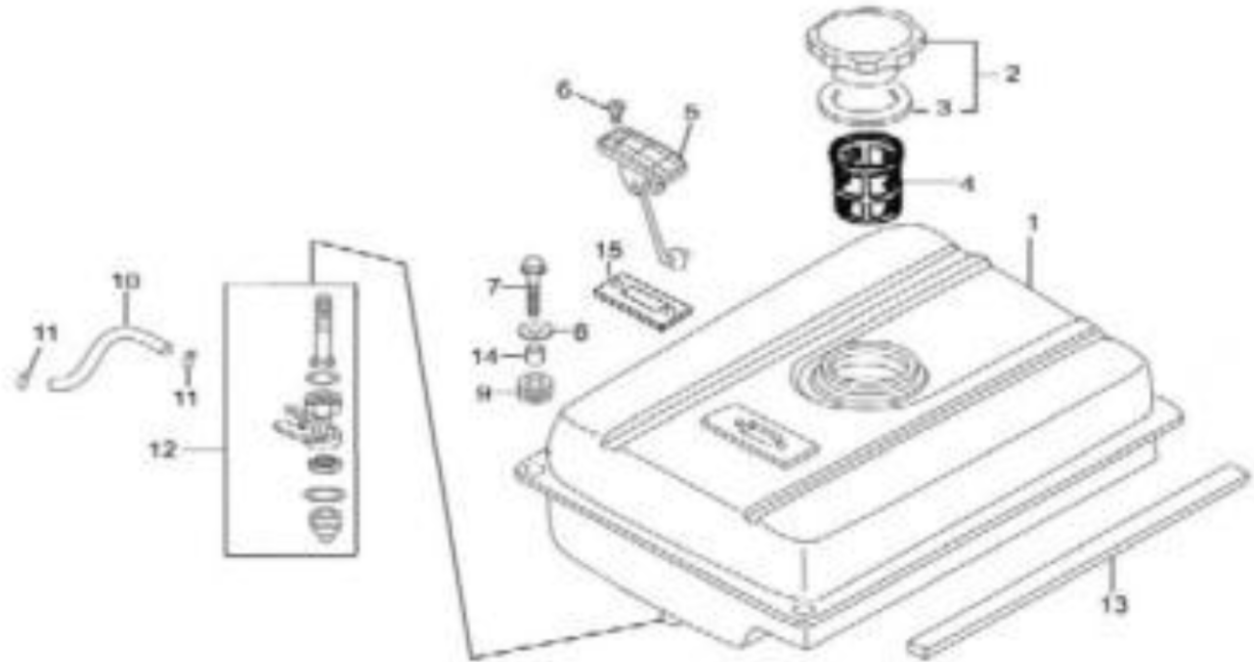
ITEM	PART NO.	DESCRIPTION	QTY.
1	17132/168F-BV	FILTER ELEMENT	1
2	17183/168F-BV	RETAINER, FILTER ELEMENT	1
3	17141/168F-BV	AIR CLEANER CASE	1
4	17111/168F-BV	AIR CLEANER COVER	1
5	17171	AIR CLEANER STAY	1
6	17145/168F-BV	GASKET	1
7	17113/168F-BV	BOLT	4
8	GB5787-86	BOLT M6 X 12	1
9	17160/168F-BV	HINGE	2
10	17100/168F-BV	AIR CLEANER ASSY	1

MUFFLER ASSY
FIGURA 13/TABLA 13



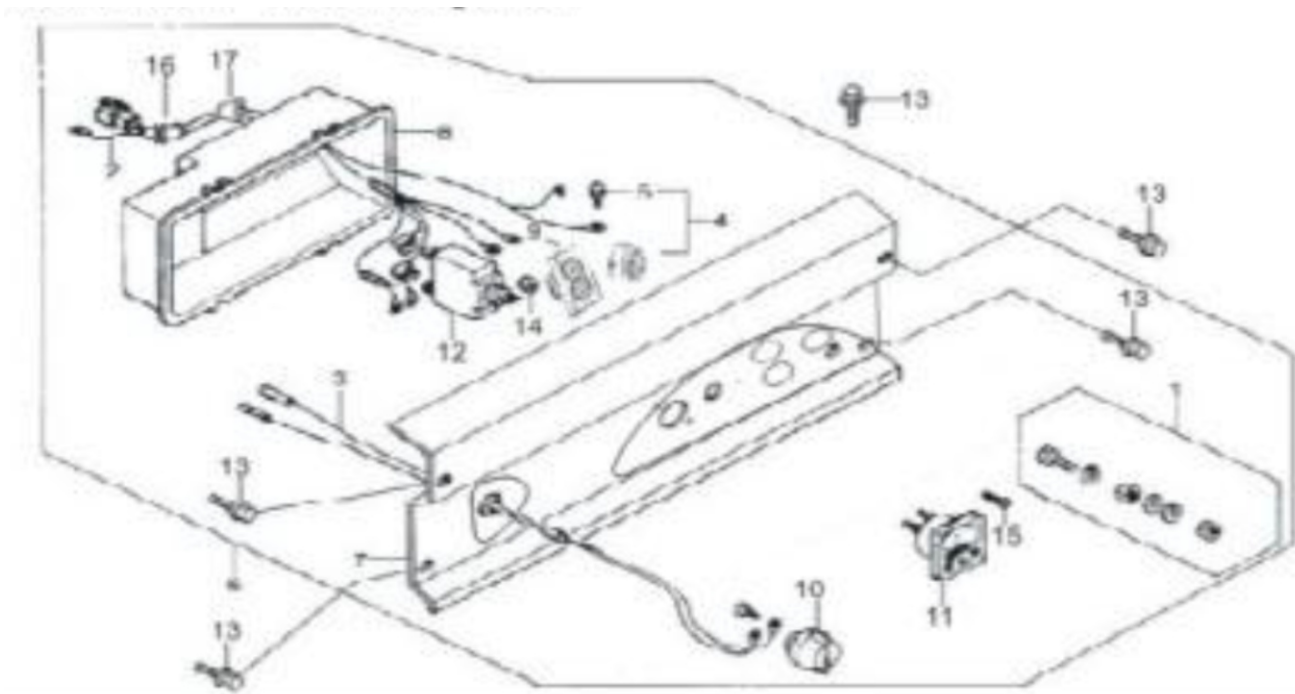
ITEM	PART NO.	DESCRIPTION	QTY.
1	18300/168F-BV	MUFFLER	1
2	18611	MUFFLER GUARD	1
3	GB5787-86	FLANGE BOLT M8 X 16	3
4	18110/168F-BV	EXHAUST PIPE COMP.	1
5	18221/168F-BV	MUFFLER GASKET	1
6	18720	SUPPORTING PLATE	1
7	18710	MUFFLER STAY	1
8	GB5787-86	BOLT M8 X 25	2
9	GB6187-86	NUT M8	2
10	GB5787-86	FLANGE BOLT M6 X 12	6
11	12255/168F	EXHAUST PIPE GASKET	1

**FUEL TANK ASSY
FIGURA 14/TABLA 14**



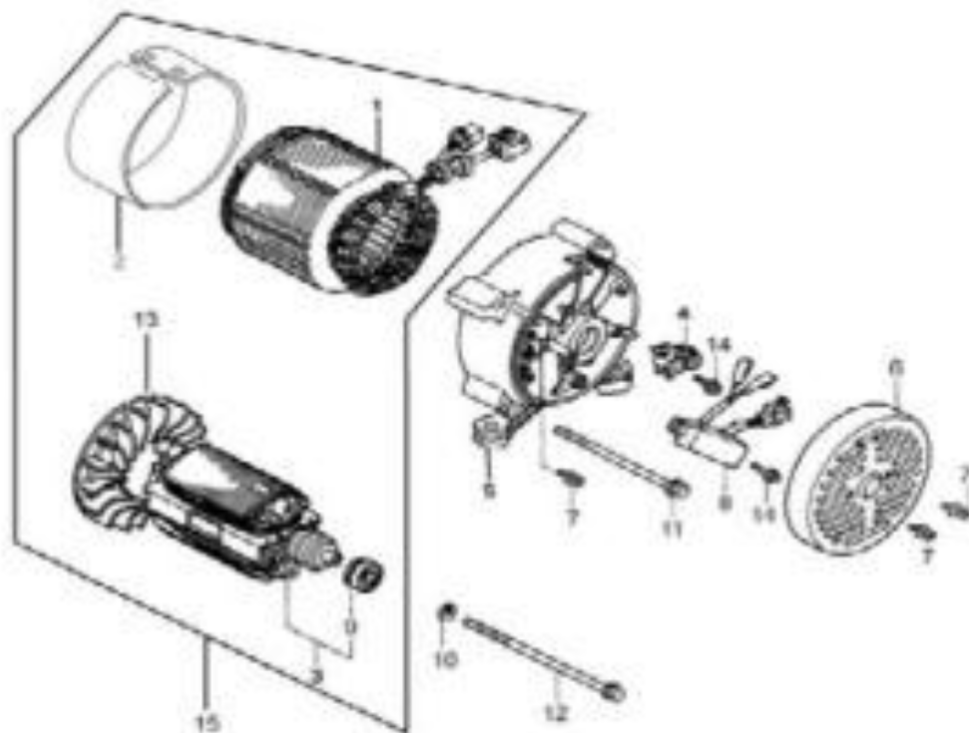
ITEM	PART NO.	DESCRIPTION	QTY.
1	16610/3500	FUEL TANK	1
2	16500	FUEL FILLER CAP COMP.	1
3	16521	PACKING RING	1
4	16916	FUEL FILTER	1
5	37820	FUEL SENSOR	1
6	GB819-85	SCREW M5 X 10	2
7	GB5787-86	FLANGE BOLT M6 X 22	4
8	16821	WASHER	4
9	16811	CUSHION	4
10	16931/168F	OUTLET PIPE (Ø9 X Ø4.5 X 130)	1
11	16937	TUBE CLIP	2
12	16930	FUEL COCK	1
13	16812	STRIPE, FUEL TANK	1
14	16824	FITTING BRUSH, FUEL TANK	4
15	37825	GASKET, FUEL SENSOR	1

**CONTROL PANEL
FIGURA 15/TABLA 15**



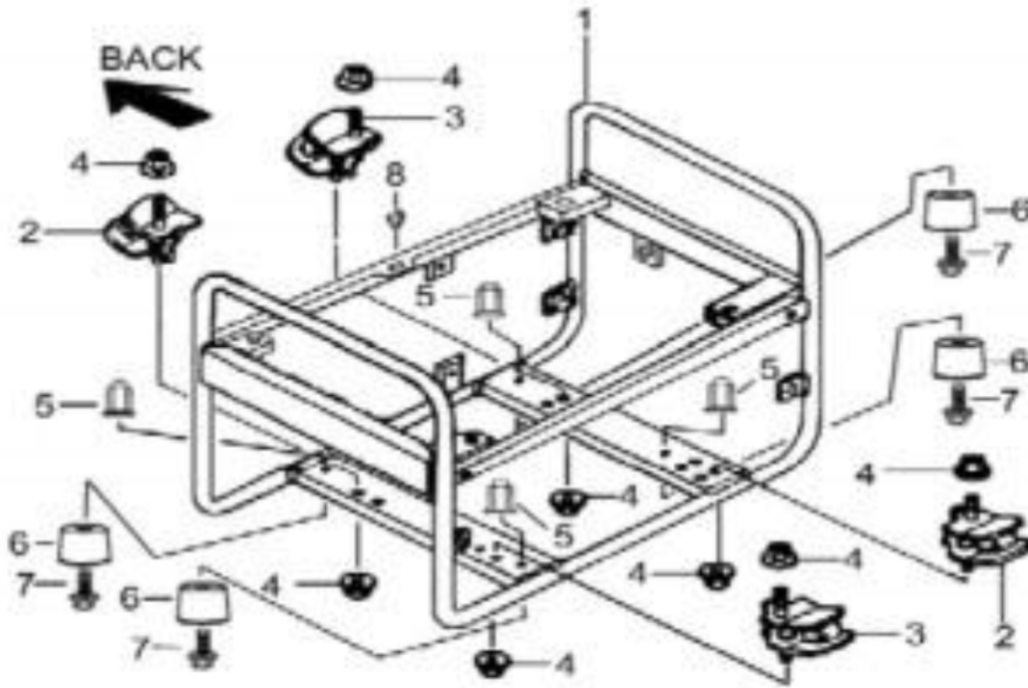
ITEM	PART NO.	DESCRIPTION	QTY.
1	32520	EARTH TERMINAL SET	1
2	32100	WIRE HARNESS ASSY	1
3	32310	SWITCH WIRE	1
4	35510	CONSENT (30A)	1
5	GB5787-86	BOLT M4 X 10	3
6	37300	CONTROL PANEL ASSY	1
7	37310	CONTROL PANEL	1
8	37321	CONTROL PANEL CASE	1
9	35550/10000E	CONSENT (20A)	1
10	35410	IGNITION SWITCH	1
11	37420	VOLTMETER	1
12	31710	CIRCUIT PROTECTOR (10A)	1
13	GB5787-86	FLANGE BOLT M6 X 12	1
14	GB6187-86	NUT M4	4
15	GB819-85	PAN SCREW M4 X 10	2
16	32115	BOOT, AC OUTPUT WIRE	2
17	32115	BOOT, MAIN WIRE HARNESS	1

**GENERATOR
FIGURA 16/TABLA 16**

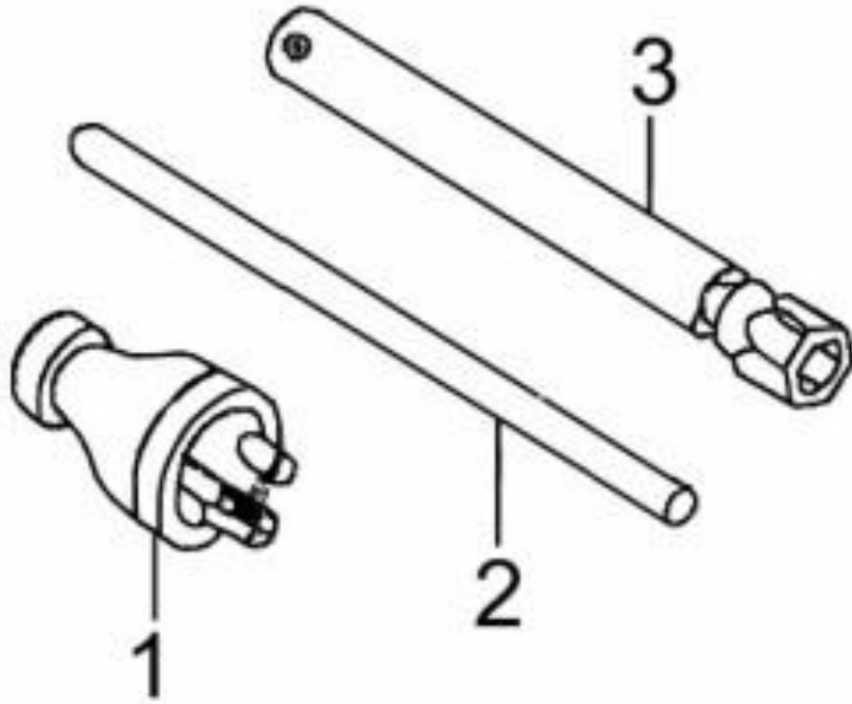


ITEM	PART NO.	DESCRIPTION	QTY.
1	31200	STATOR ASSY	1
2	31936	STATOR COVER	1
3	31100	ROTOR COMP.	1
4	31370	BRUSH ASSY	1
5	31411	GENERATOR STAY	1
6	31938	GENERATOR END COVER	1
7	31995	BOLT M15 X 12	3
8	31600	VOLTAGE REGULATOR	1
9	GB276-89	BEARING 6202-2RS	1
10	31134	PLAIN WASHER	1
11	31931	FLANGE BOLT M6 X 125	4
12	31933	BOLT M8 X 180	1
13	31141	GENERATOR FAN	1
14	31996	BOLT M5 X 14	3
15	30100	STATOR & ROTOR ASSY	1

FRAME
FIGURA 17/TABLA 17



ITEM	PART NO.	DESCRIPTION	QTY.
1	41100	FRAME COMP	1
2	41310	BOTTOM RUBBER A	2
3	41320	BOTTOM RUBBER B	2
4	GB6177-86	FLANGE NUT M8	8
5	GB802-88	NUT M6	4
6	41350	CUSHION, FRAME	4
7	GB5787-86	BOLT M6 X 12	4
8	41116	RUBBER PAD, FRAME	1



ITEM	PART NO.	DESCRIPTION	QTY.
1	35610	PLUG (30A)	1
2	58122	EXTENSION BAR	1
3	58121	SPARKING PLUG WRENCH (SHORT)	1

MPOWER

MANUAL DE PARTES GENERADOR 3.5 KW 3500



LADA SIN COSTO
01.800.506.82.86

SÍGUENOS EN:

YouTube



www.mpower.com.mx

Km 126.5 Carretera Federal México-Puebla, Momoxpan, Cholula, Puebla.
MÉXICO. CP 72760