

# MPOWER



## MANUAL DE PARTES

### GENERADOR 6.5 KW 6500



ENERGÍA

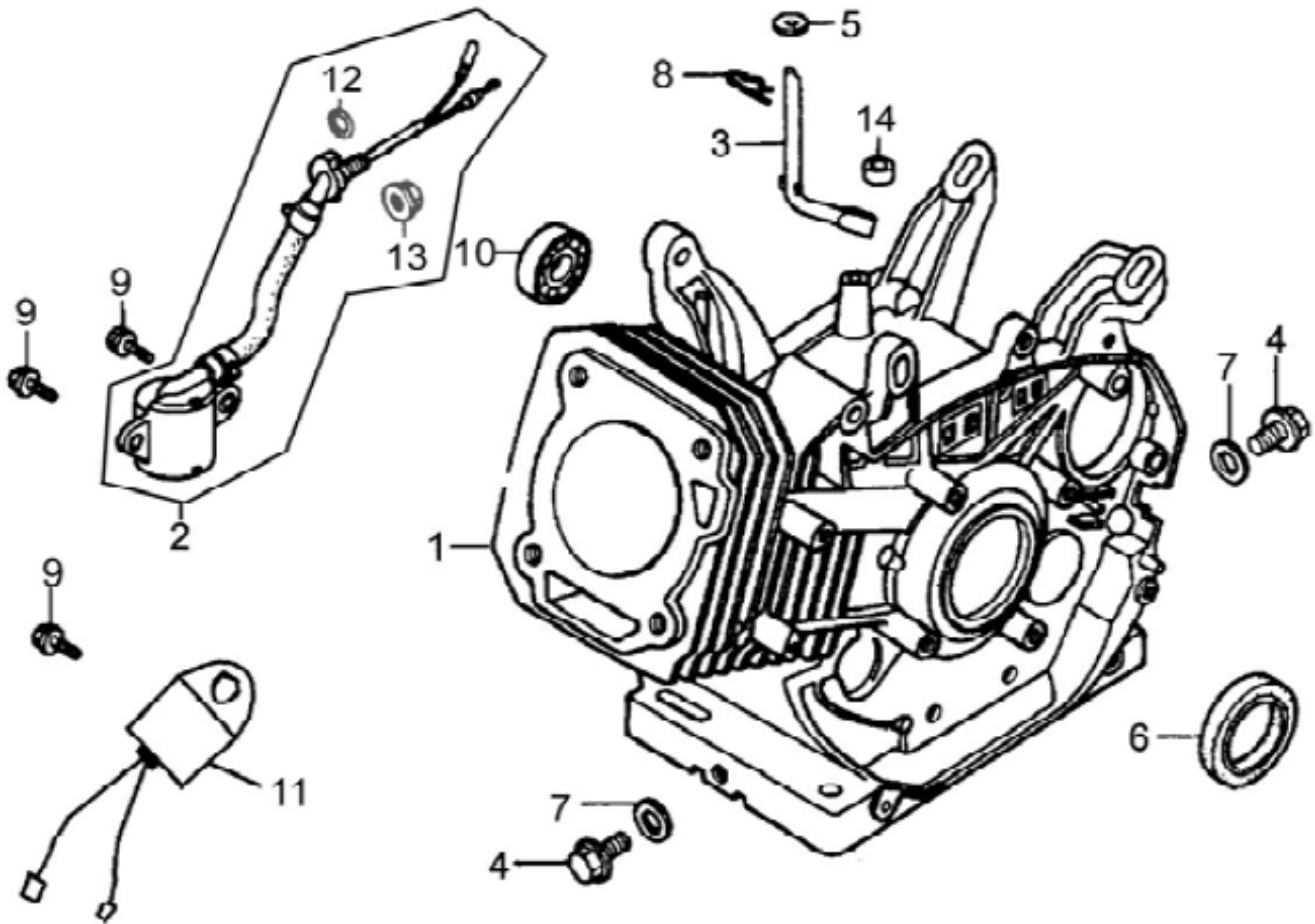


[www.mpower.com.mx](http://www.mpower.com.mx)

# GENERADOR 6.5 KW 6500

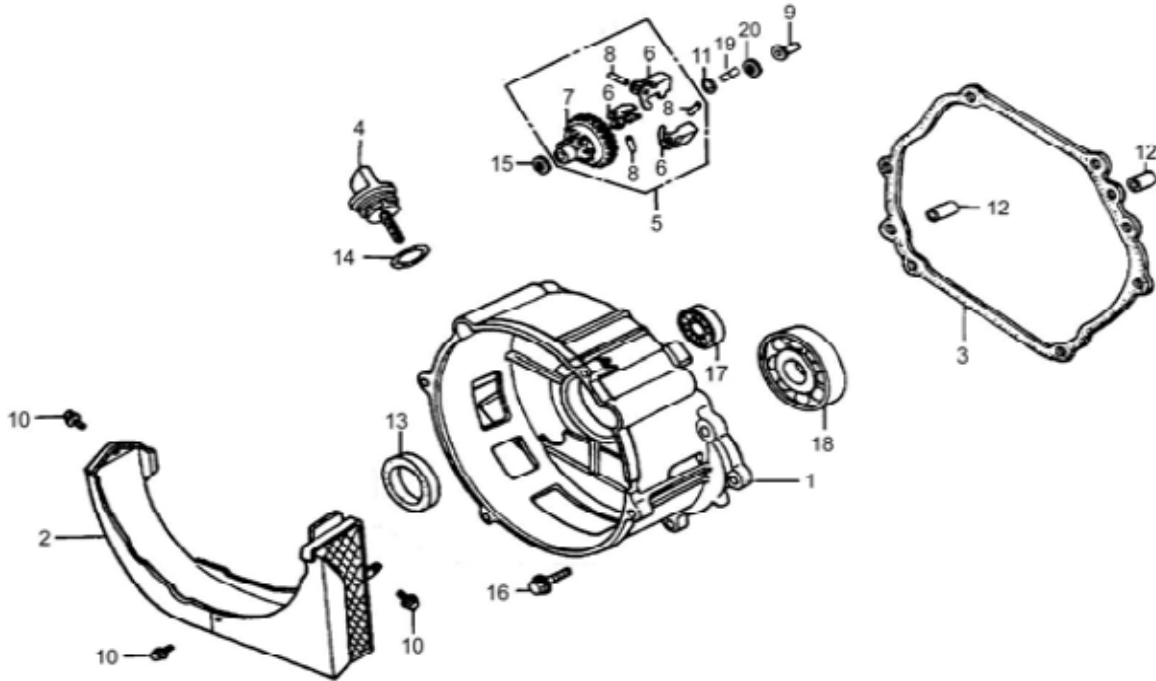
|             |                                                               |               |
|-------------|---------------------------------------------------------------|---------------|
| <b>E-1</b>  | CRANKCASE ASSY .....                                          | <b>PAG 03</b> |
| <b>E-2</b>  | CRANKCASE COVER ASSY.....                                     | <b>PAG 04</b> |
| <b>E-3</b>  | CYLINDER HEAD & CYLINDER HEAD COVER ASSY ....                 | <b>PAG 05</b> |
| <b>E-4</b>  | CRANKSHAFT, PISTON & CONNECTING ROD & BALANCING<br>SHAFT..... | <b>PAG 06</b> |
| <b>E-5</b>  | COMBINATION OF CAMSHAFT & VALVE ROCKER .....                  | <b>PAG 07</b> |
| <b>E-6</b>  | CARBURETOR ASSY .....                                         | <b>PAG 08</b> |
| <b>E-7</b>  | FAN COVER .....                                               | <b>PAG 09</b> |
| <b>E-8</b>  | KICK STARTER .....                                            | <b>PAG 10</b> |
| <b>E-9</b>  | FLYWHEEL .....                                                | <b>PAG 12</b> |
| <b>E-10</b> | IGNITION COIL .....                                           | <b>PAG 13</b> |
| <b>E-11</b> | AIR CLEANER ASSY .....                                        | <b>PAG 14</b> |
| <b>E-12</b> | MUFFLER ASSY .....                                            | <b>PAG 15</b> |
| <b>E-13</b> | FUEL TANK ASSY .....                                          | <b>PAG 16</b> |
| <b>E-14</b> | STARTING MOTOR ASSY .....                                     | <b>PAG 17</b> |
| <b>G-01</b> | CONTROL PANEL .....                                           | <b>PAG 18</b> |
| <b>G-02</b> | GANERATOR .....                                               | <b>PAG 20</b> |
| <b>G-03</b> | FRAME .....                                                   | <b>PAG 22</b> |

**CRANKCASE ASSY  
FIGURA 1/TABLA 1**



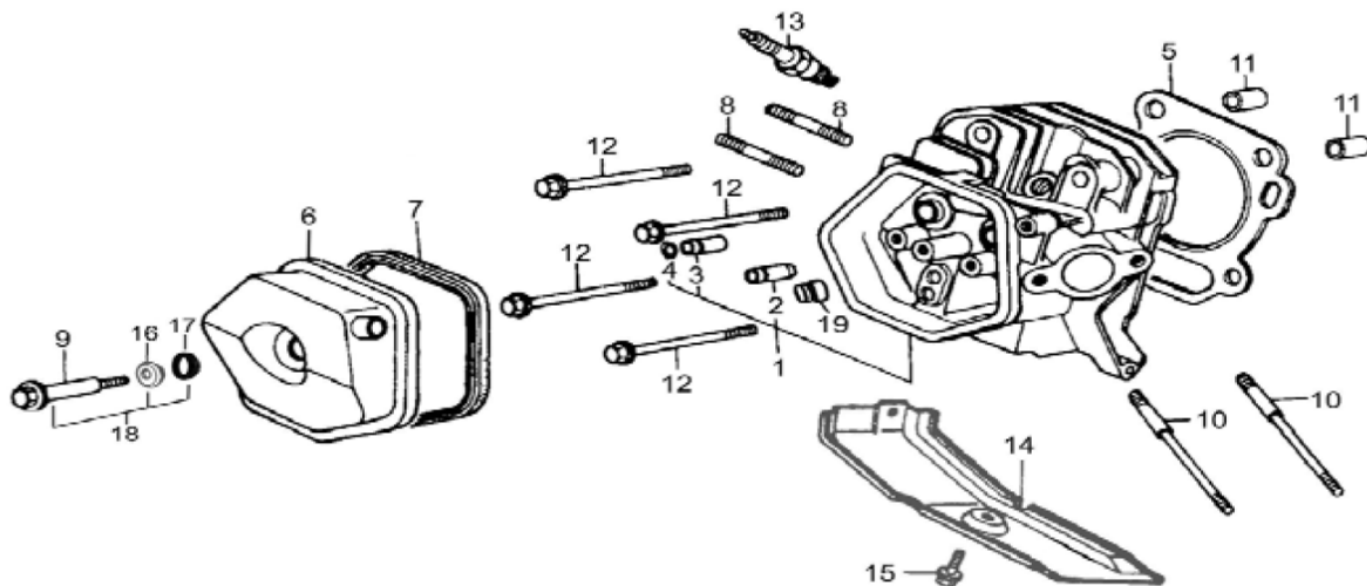
| ITEM | PART NO.      | DESCRIPTION                   | QTY. |
|------|---------------|-------------------------------|------|
| 1    | 11100/188F-AS | Crankcase                     | 1    |
| 2    | 37810/173F    | Oil sensor                    | 1    |
| 3    | 26311/182F    | Regulating sway bas           | 1    |
| 4    | 11212/173F    | Drain plug                    | 2    |
| 5    | 26329/173F    | Washer                        | 1    |
| 6    | 13180/182F    | Oil seal, crankshaft          | 1    |
| 7    | 11213/173F    | Washer                        | 2    |
| 8    | 26321/173F    | Split pin                     | 1    |
| 9    | GB5787-86     | Bolt M6x12                    | 3    |
| 10   | GB276-89      | Bearing 6202                  | 1    |
| 11   | 37850/168F    | Diode                         | 1    |
| 12   | GB3452.1-92   | O-ring 13x1.4                 | 1    |
| 13   | GB6177-86     | Nut M10                       | 1    |
| 14   | 26390/182F    | Oil seal, regulating sway bar | 1    |

**CRANKCASE COVER ASSY  
FIGURA 2/TABLA 2**



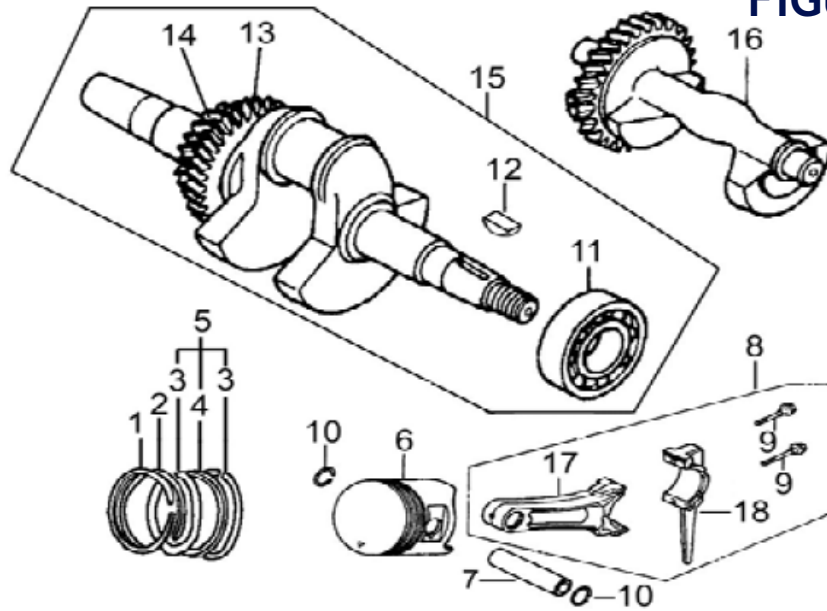
| ITEM | PART NO.      | DESCRIPTION                | QTY. |
|------|---------------|----------------------------|------|
| 1    | 11311/182F-AV | Crankcase cover            | 1    |
| 2    | 11340/182F-AV | Guard, crankcase cover     | 1    |
| 3    | 11119/182F    | Gasket, crankcase          | 1    |
| 4    | 15611/173F    | Dipstick                   | 1    |
| 5    | 25120/182F    | Driven gear set, regulator | 1    |
| 6    | 25141/182F    | Flying block               | 3    |
| 7    | 25121/182F    | Driven gear, regulator     | 1    |
| 8    | 25163/173F    | Pin                        | 3    |
| 9    | 25131/173F    | Sliding sleeve             | 1    |
| 10   | 31995/2GF     | Bolt M5X12                 | 3    |
| 11   | 25164/173F    | Snap ring                  | 1    |
| 12   | 11118/173F    | Set Pin                    | 2    |
| 13   | 13180/173F    | Oil sea, Crankshaft        | 1    |
| 14   | 15612/173F    | Seal                       | 1    |
| 15   | 25165/173F    | Washer, driven gear        | 1    |
| 16   | GB5787-86     | Bolt M8X40                 | 7    |
| 17   | GB276-89      | Bearing 6202               | 1    |
| 18   | GB276-89      | Bearing 6207               | 1    |
| 19   | 25151/173F    | Regulating shaft           | 1    |
| 20   | 25132/173F    | Washer, sliding sleeve     | 1    |

**CYLINDER HEAD & CYLINDER HEAD COVER ASSY  
FIGURA 3/TABLA 3**



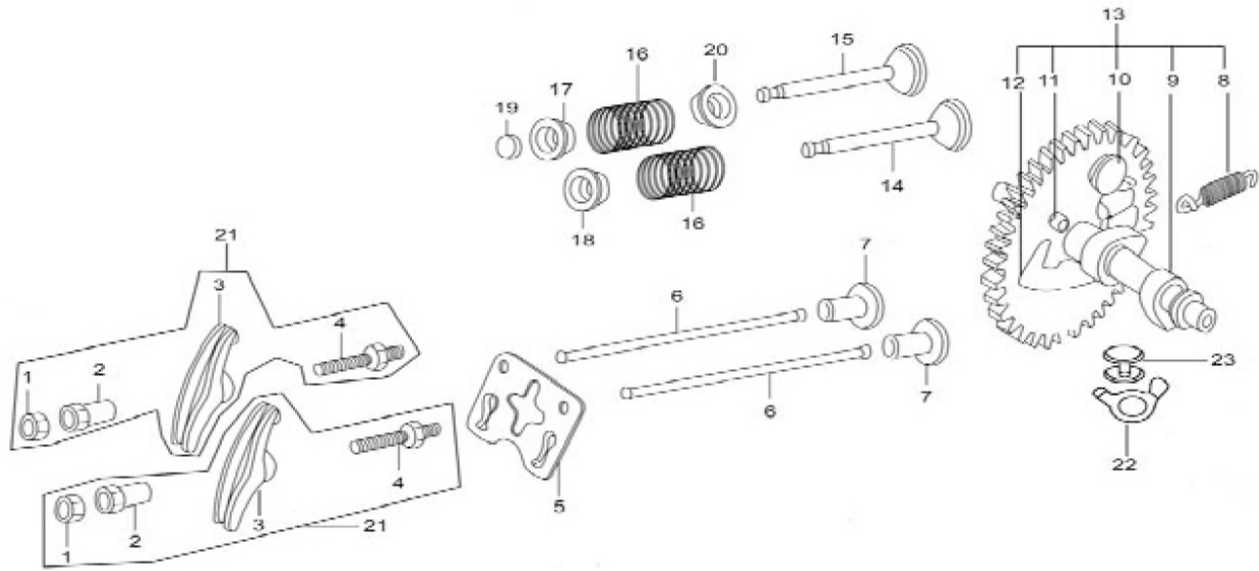
| ITEM | PART NO.      | DESCRIPTION                 | QTY. |
|------|---------------|-----------------------------|------|
| 1    | 12210/182F    | CYLINDER HEAD ASSY          | 1    |
| 2    | 12214/173F    | INTAKE VALVE GUIDE          | 1    |
| 3    | 12215/173F    | EXHAUST VALVE GUIDE         | 1    |
| 4    | 12219/173F    | CIRCIP                      | 1    |
| 5    | 12220/188F    | GASKET, CYLINDER HEAD       | 1    |
| 6    | 12310/173F    | CYLINDER HEAD COVER ASSY    | 1    |
| 7    | 12312/173F    | GASKET, CYLINDER HEAD COVER | 1    |
| 8    | 12253/173F-AV | STUD M8 X 35                | 2    |
| 9    | 12411/173F    | BOLT                        | 1    |
| 10   | 12252/182F-AV | STUD M6 X M8 X 106          | 2    |
| 11   | 12218/173F    | SET PIN                     | 2    |
| 12   | 12256/173F    | FLANGE BOLT                 | 4    |
| 13   | 34200/168F    | SPARK PLUG F6RTC            | 1    |
| 14   | 19721/182F    | LEAD WIND COVER             | 1    |
| 15   | GB5787-86     | BOLT M6 X 12                | 1    |
| 16   | 12412/173F    | WASHER                      | 1    |
| 17   | 12421/173F    | RUBBER SEAL                 | 1    |
| 18   | 12410/173F    | BOLT                        | 1    |
| 19   | 14730/173F    | OIL SEAL, VALVE STEM        | 1    |

**CRANKSHAFT, PISTON, CONNETING ROD & BALANCING SHAFT  
FIGURA 4/TABLA 4**



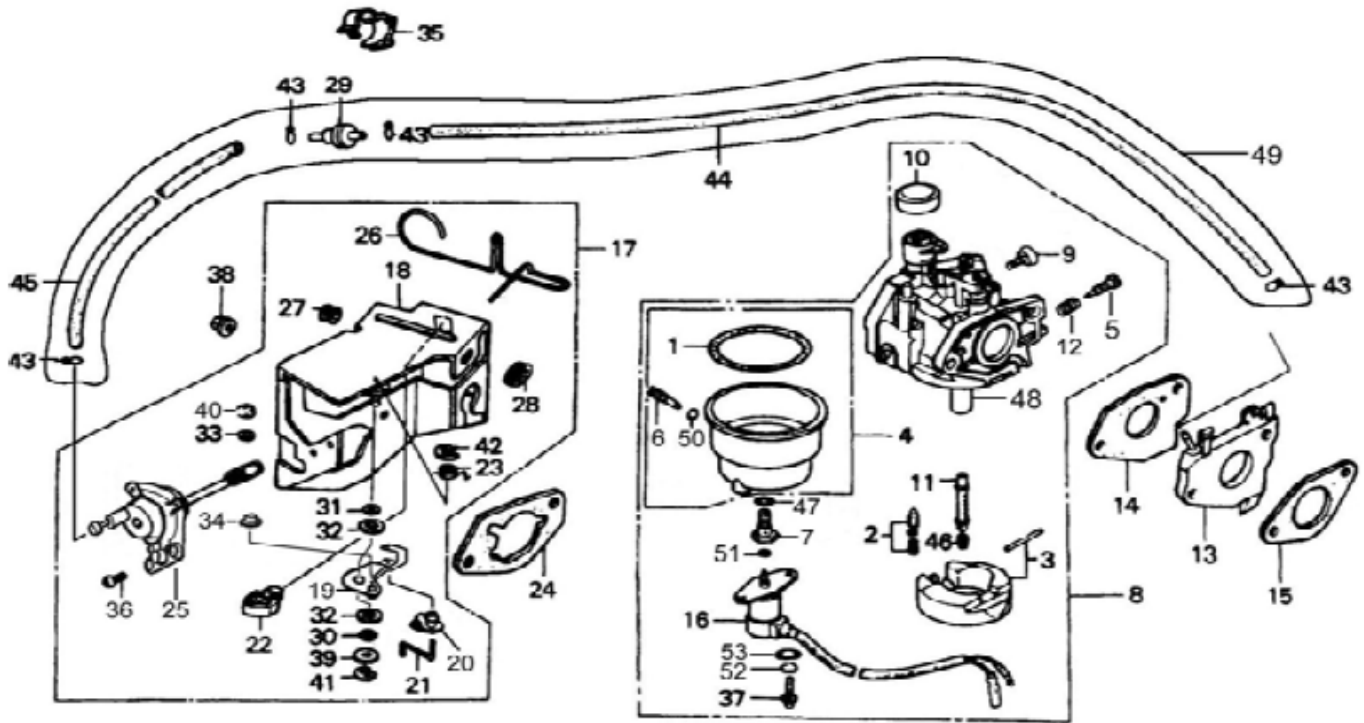
| ITEM | PART NO.      | DESCRIPTION             | QTY. |
|------|---------------|-------------------------|------|
| 1    | 13311/188F    | PISTON RING (I)         | 1    |
| 2    | 13312/188F    | PISTON RING (II)        | 1    |
| 3    | 13322/188F    | SIDE RING               | 2    |
| 4    | 13321/188F    | WAVE RING               | 1    |
| 5    | 13300/188F    | PISTON RING SET         | 1    |
| 6    | 13211/188F    | PISTON                  | 1    |
| 7    | 13221/188F    | PISTON PIN              | 1    |
| 8    | 13130/182F    | CONNECTING ROD ASSY     | 1    |
| 9    | 13133/173F    | BOLT                    | 2    |
| 10   | 13222/182F    | PISTON PIN CIRCLIP      | 2    |
| 11   | GB276-89      | BEARING 6207            | 1    |
| 12   | 13118/173F    | WOODRUFF KEY            | 1    |
| 13   | 25111/182F    | DRIVE GEAR              | 1    |
| 14   | 14211/182F    | TIMING DRIVING GEAR     | 1    |
| 15   | 13110/182F-AV | CRANKSHAFT SETS         | 1    |
| 16   | 13611/182F    | BALANCING SHAFT         | 1    |
| 17   | 13131/182F    | CONNECTING ROD          | 1    |
| 18   | 13132/182F    | CONNECTING ROD COVER    | 1    |
|      | 13300-25/188F | Piston ringset .25 188  | 1    |
|      | 13300-50/188F | Piston ringset .50 188F | 1    |
|      | 13211-25/188F | Piston .25 188F         | 1    |
|      | 13211-50/188F | Piston .50 188F         | 1    |

**COMBINATION OF CAMSHAFT & VALVE ROCKER  
FIGURA 5/TABLA 5**



| ITEM | PART NO.   | DESCRIPTION                    | QTY. |
|------|------------|--------------------------------|------|
| 1    | 14416/173F | LOCK NUT                       | 2    |
| 2    | 14413/173F | SLEEVE                         | 2    |
| 3    | 14411/173F | VALVE ROCKER                   | 2    |
| 4    | 14415/173F | ADJUSTING BOLT FOR VALVE GAP   | 2    |
| 5    | 14261/173F | PUSHER GUIDE                   | 1    |
| 6    | 14250/182F | PUSHER                         | 2    |
| 7    | 14455/173F | TAPPET                         | 2    |
| 8    | 14146/173F | EXTENSION SPRING               | 1    |
| 9    | 14111/188F | CAMSHAFT                       | 1    |
| 10   | 14149/173F | PIN                            | 1    |
| 11   | 14118/173F | SPRING HANG PIN                | 1    |
| 12   | 14140/173F | AUTO-REDUCTOR SUBASSEMBLY      | 1    |
| 13   | 14100/188F | CAMSHAFT ASSY                  | 1    |
| 14   | 14711/182F | INTAKE VALVE                   | 1    |
| 15   | 14721/182F | EXHAUST VALVE                  | 1    |
| 16   | 14755/173F | VALVE SPRING                   | 2    |
| 17   | 14757/173F | SPRING SEAT, EXHAUST VALVE     | 1    |
| 18   | 14751/173F | SPRING SEAT, INTAKE VALVE      | 1    |
| 19   | 14758/173F | CAP, EXHAUST VALVE             | 1    |
| 20   | 14753/173F | SPRING RETAINER, EXHAUST VALVE | 1    |
| 21   | 14410/173F | VALVE ROCKER ASSY              | 2    |
| 22   | 14151/173F | LIMIT POSITION PANEL           | 1    |
| 23   | 14152/173F | PIN                            | 1    |

**CARBURETOR ASSY  
FIGURA 6/TABLA 6**



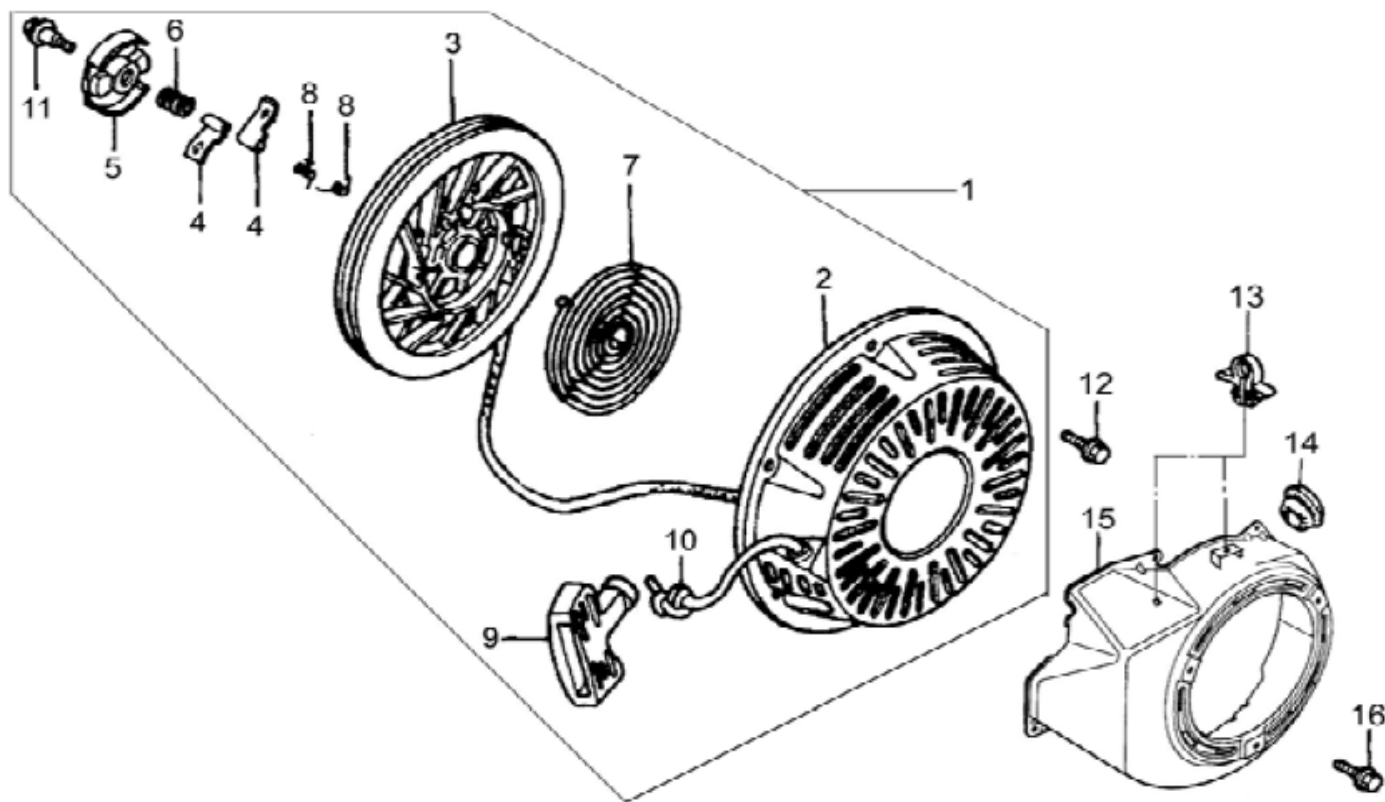
| ITEM | PART NO.      | DESCRIPTION                      | QTY. |
|------|---------------|----------------------------------|------|
| 1    | 16219/173F    | GASKET, FLOAT CHAMBER            | 1    |
| 2    | 16240/173F    | FLOAT NEEDLE                     | 1    |
| 3    | 16230/173F    | FLOAT                            | 1    |
| 4    | 16210/173F-AV | FLOAT CHAMBER                    | 1    |
| 5    | 16425/168F    | MIXTURE ADJUSTMENT SCREW         | 1    |
| 6    | 16215/173F-AV | DRAIN SCREW, FLOAT CHAMBER       | 1    |
| 7    | 16213/173F-AV | SCREW                            | 1    |
| 8    | 16100/188F-AV | CARBURETOR ASSY                  | 1    |
| 9    | 16421/168F    | ILDE ADJUSTMENT SCREW            | 1    |
| 10   | 16333/173F-AV | DUST COVER, CHOKE                | 1    |
| 11   | 16251/188F-AV | PIPE,MAIN JET                    | 1    |
| 12   | 16422/168F    | SPRING, MIXTURE ADJUSTMENT SCREW | 1    |
| 13   | 16141/188F-AV | CONNECTING BLOCK, CARBURETOR     | 1    |
| 14   | 16142/188F    | GASKET, CARBURETOR               | 1    |
| 15   | 12254/182F    | GASKET, INLET                    | 1    |
| 16   | 16170/173F-AV | MAGNETIC VALVE, CARBURETOR       | 1    |
| 17   | 16300/182F-AV | MANUAL CHOKE ASSY                | 1    |
| 18   | 16310/173F-AV | BRACKET                          | 1    |
| 19   | 16320/173F-AV | CHOKE LEVER                      | 1    |



**CARBURETOR ASSY  
TABLA 6**

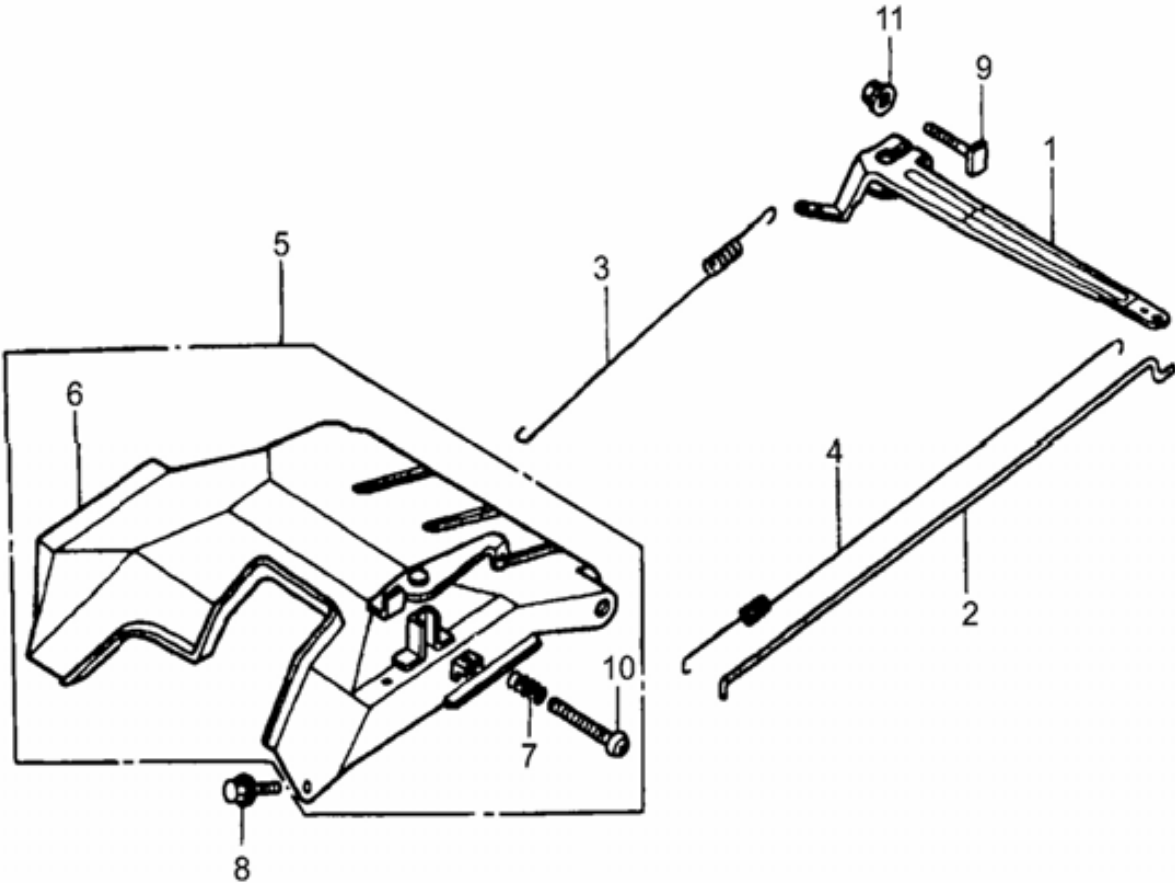
| ITEM | PART NO.       | DESCRIPTION                       | QTY. |
|------|----------------|-----------------------------------|------|
| 20   | 16334/173F-AV  | JOINT, CHOKE STEM                 | 1    |
| 21   | 16332/173F-AV  | CHOKE STEM                        | 1    |
| 22   | 16335/173F-AV  | STOPPER, CHOKE ROD                | 1    |
| 23   | 16338/173F-AV  | SPRING, CHOKE                     | 1    |
| 24   | 17330/173F-AV  | GASKET, AIR CLEANER               | 1    |
| 25   | 16410/173F-AV  | REGULATION VALVE, CHOKE           | 1    |
| 26   | 16324/182F-AV  | TIE ROD, CHOKE                    | 1    |
| 27   | 16325/173F-AV  | RUBBER WASHER, CHOKE LEVER 1      | 1    |
| 28   | 16326/173F-AV  | RUBBER WASHER, CHOKE LEVER 2      | 1    |
| 29   | 17420/173F-AV  | CHECK VALVE                       | 1    |
| 30   | 16384/173F-AV  | WASHER 1                          | 1    |
| 31   | 16385/173F-AV  | WASHER 2                          | 1    |
| 32   | 16383/173F-AV  | PACKING RING                      | 2    |
| 33   | 16386/173-F-AV | WASHER 3                          | 1    |
| 34   | 16387/173F-AV  | WASHER 4                          | 1    |
| 35   | 32215/173F-AV  | CLAMP, CHECK VALVE                | 1    |
| 36   | GB818-85       | SCREW M5 X 12                     | 2    |
| 37   | GB818-85       | SCREW M5 X 12                     | 2    |
| 38   | GB6177-88      | NUT M6                            | 2    |
| 39   | GB96-85        | FLAT WASHER 5mm                   | 1    |
| 40   | GB896-86       | WASHER 2mm                        | 1    |
| 41   | GB896-86       | WASHER 4mm                        | 1    |
| 42   | GB896-86       | WASHER 7mm                        | 1    |
| 43   | 16937/168F     | TUBE CLIP                         | 4    |
| 44   | 17414/173F-AV  | HOSE A                            | 1    |
| 45   | 17415/173F-AV  | HOUSE B                           | 1    |
| 46   | 16254/188F-AV  | MAIN METERING JET                 | 1    |
| 47   | 16214/173F-AV  | GASKET, SCREW                     | 1    |
| 48   | 16250/188F-AV  | MIXTURE CHAMBER BODY              | 1    |
| 49   | 17410-173F-AV  | CHECK VALVE ASSY                  | 1    |
| 50   | 16216/173F-AV  | WASHER, PLUG                      | 1    |
| 51   | 16176/173F-AV  | GASKET, CARBURETOR MAGNETIC VALVE | 1    |
| 52   | GB93-87        | SPRING WASHER 5mm                 | 2    |
| 53   | GB97.1-85      | FLAT WASHER 5mm                   | 2    |

**KICK STARTER  
FIGURA 7/TABLA 7**



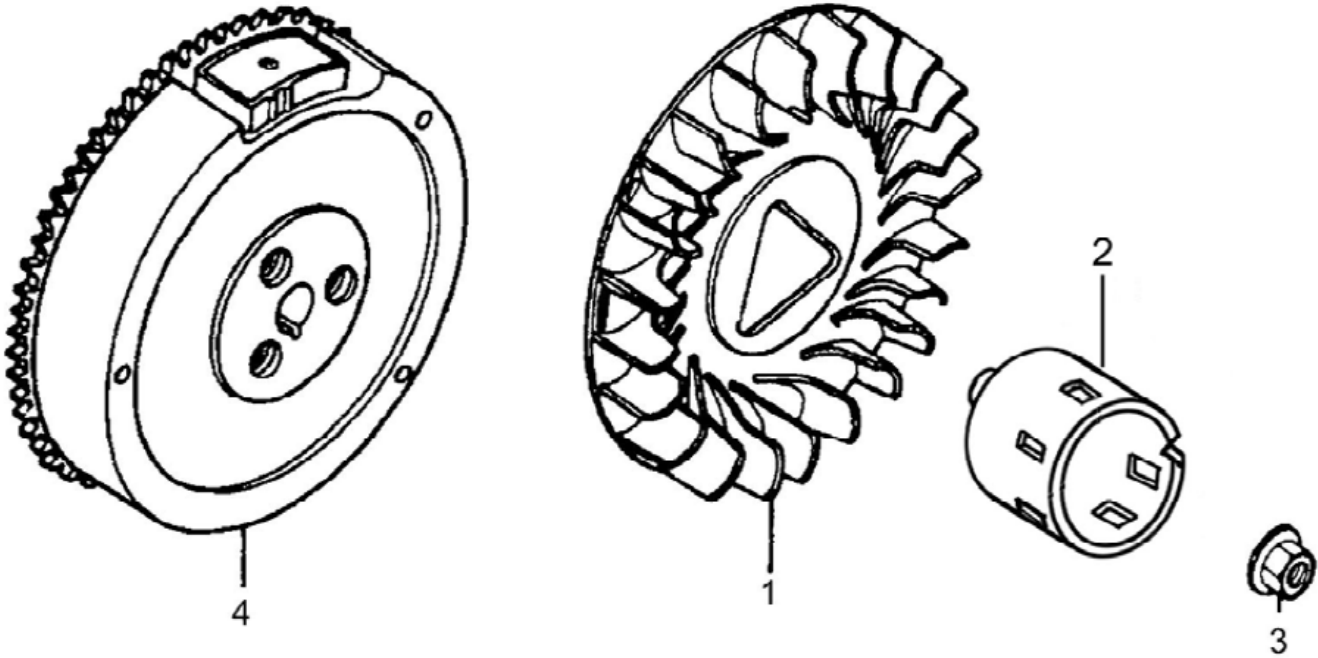
| ITEM | PART NO.      | DESCRIPTION     | QTY. |
|------|---------------|-----------------|------|
| 1    | 27300/182F    | KICK STARTER    | 1    |
| 2    | 27380/182F    | CASTING         | 1    |
| 3    | 27351/182F    | STARTING ROLLER | 1    |
| 4    | 27331/173F    | RATCHET         | 2    |
| 5    | 27341/173GF   | SPRING LID      | 1    |
| 6    | 27311/173F    | FRICTION SPRING | 1    |
| 7    | 27319/182F    | SPIRAL SPRING   | 1    |
| 8    | 27312/173F    | SPRING, RATCHET | 2    |
| 9    | 27361/173F    | HANDLE          | 1    |
| 10   | 27313/182F    | ROPE            | 1    |
| 11   | 27315/173F    | SET SCREW       | 1    |
| 12   | GB5787-86     | SCREW M6 X 8    | 3    |
| 13   | 32218/173F-AV | WIRE CLAMP B    | 2    |
| 14   | 19715/168F-BV | GROMMET         | 1    |
| 15   | 19710/182F-AV | FAN CASE        | 1    |
| 16   | GB5787-86     | SCREW M6 X 12   | 5    |

**REGULATING CONTROL SYSTEM  
FIGURA 8/TABLA 8**



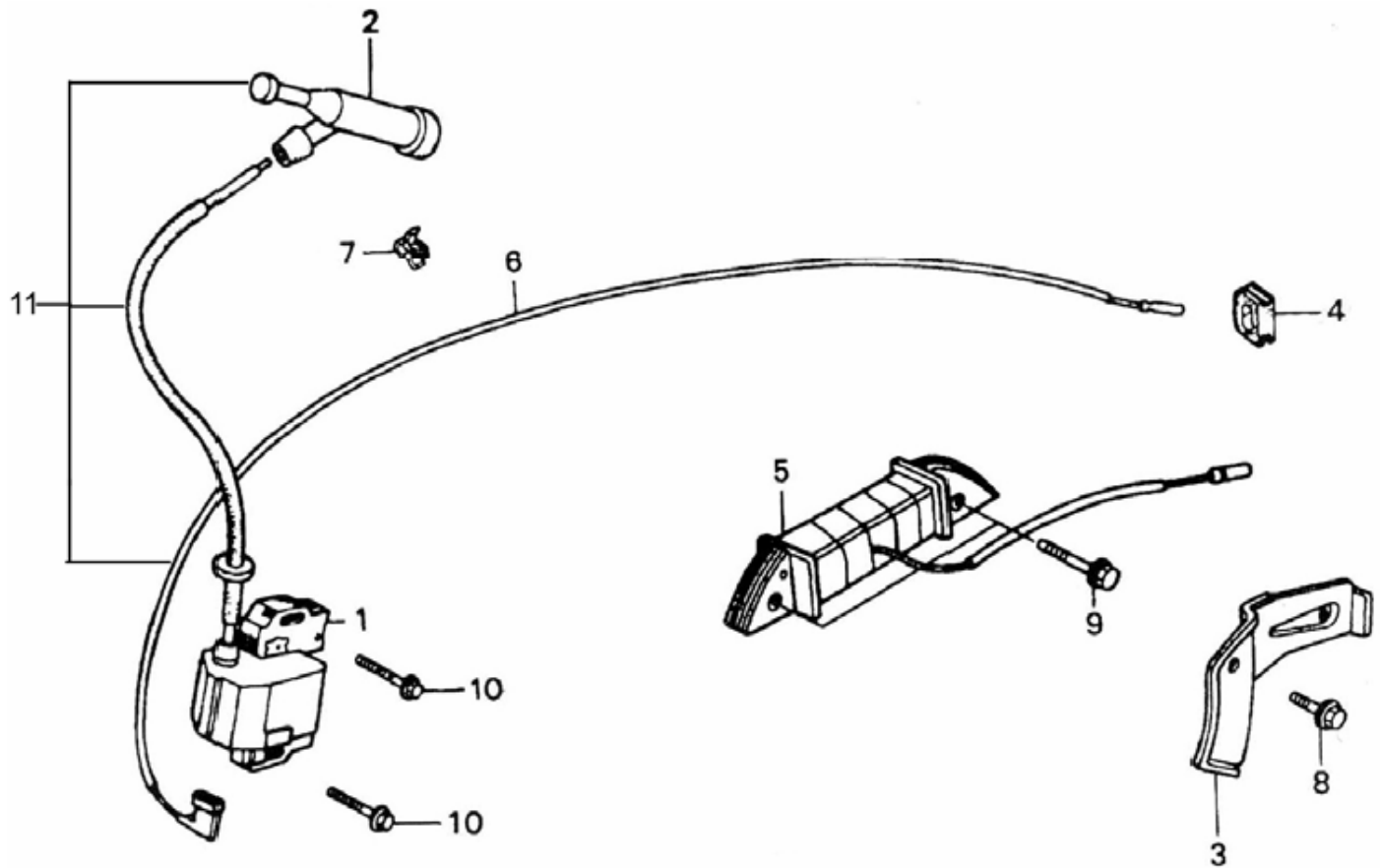
| ITEM | PART NO.      | DESCRIPTION            | QTY. |
|------|---------------|------------------------|------|
| 1    | 26331/182F    | REGULATING ARM         | 1    |
| 2    | 26341/182F    | PULLING ROD            | 1    |
| 3    | 26363/182F    | BACK SPRING            | 1    |
| 4    | 26364/182F    | FINE REGULATING SPRING | 1    |
| 5    | 26420/182F-AV | SUPPORTING PLATE SET   | 1    |
| 6    | 26421/182F-AV | SUPPORTING PLATE       | 1    |
| 7    | 26415/168F    | REGULATING SPRING      | 1    |
| 8    | GB5787-86     | BOLT M6 X 12           | 2    |
| 9    | 26362/168F    | LOCK BOLT              | 1    |
| 10   | GB818-85-H    | SCREW M5 X 35          | 1    |
| 11   | GB6177-86     | NUT M6                 | 1    |

**FLYWHEEL  
FIGURA 9/TABLA 9**



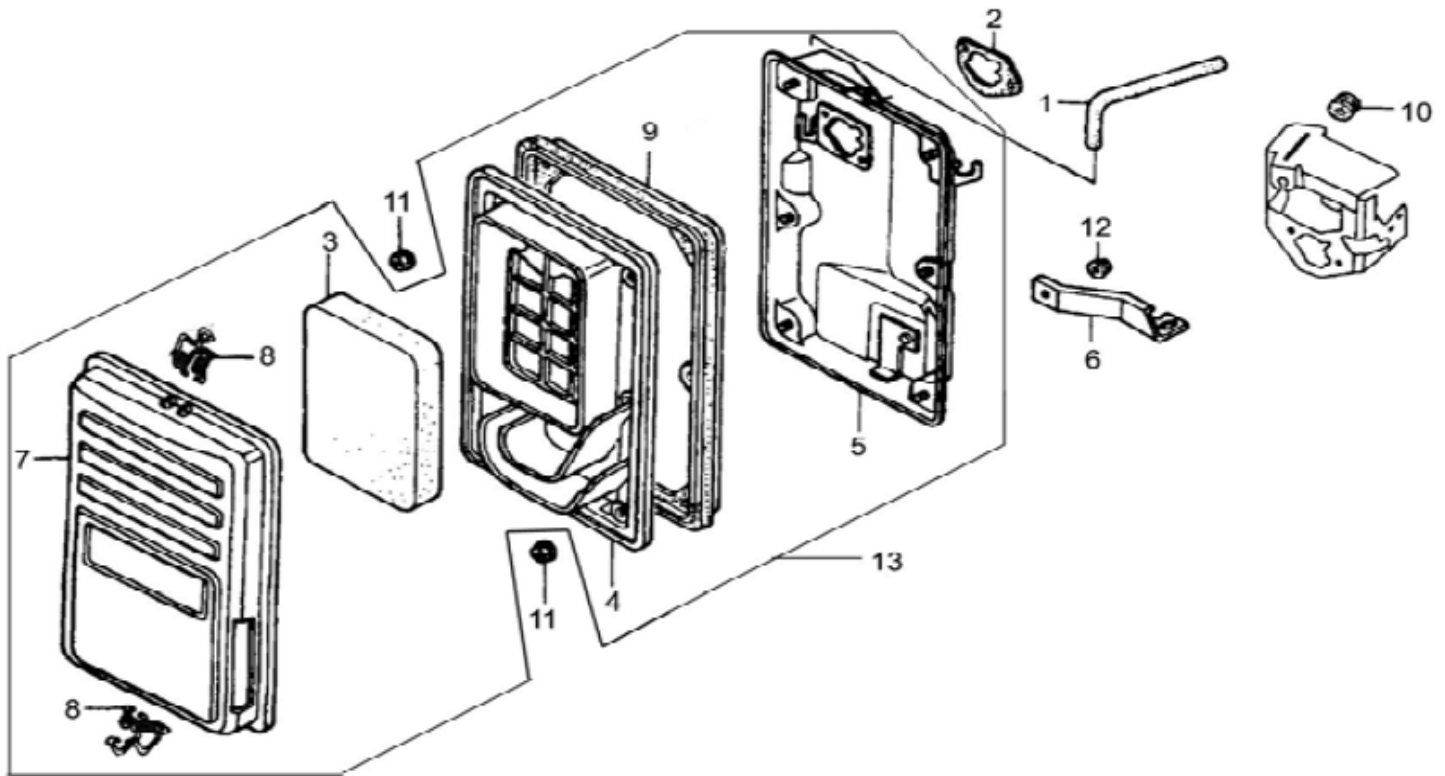
| ITEM | PART NO.      | DESCRIPTION     | QTY. |
|------|---------------|-----------------|------|
| 1    | 19722/182F    | FLYWHEEL FAN    | 1    |
| 2    | 27371/182F    | STARTING FLANGE | 1    |
| 3    | 27515/173F    | NUT M16 X 1.25  | 1    |
| 4    | 27500/182F-AS | FLYWHEEL        | 1    |

**IGNITION COIL  
FIGURA 10/TABLA 10**



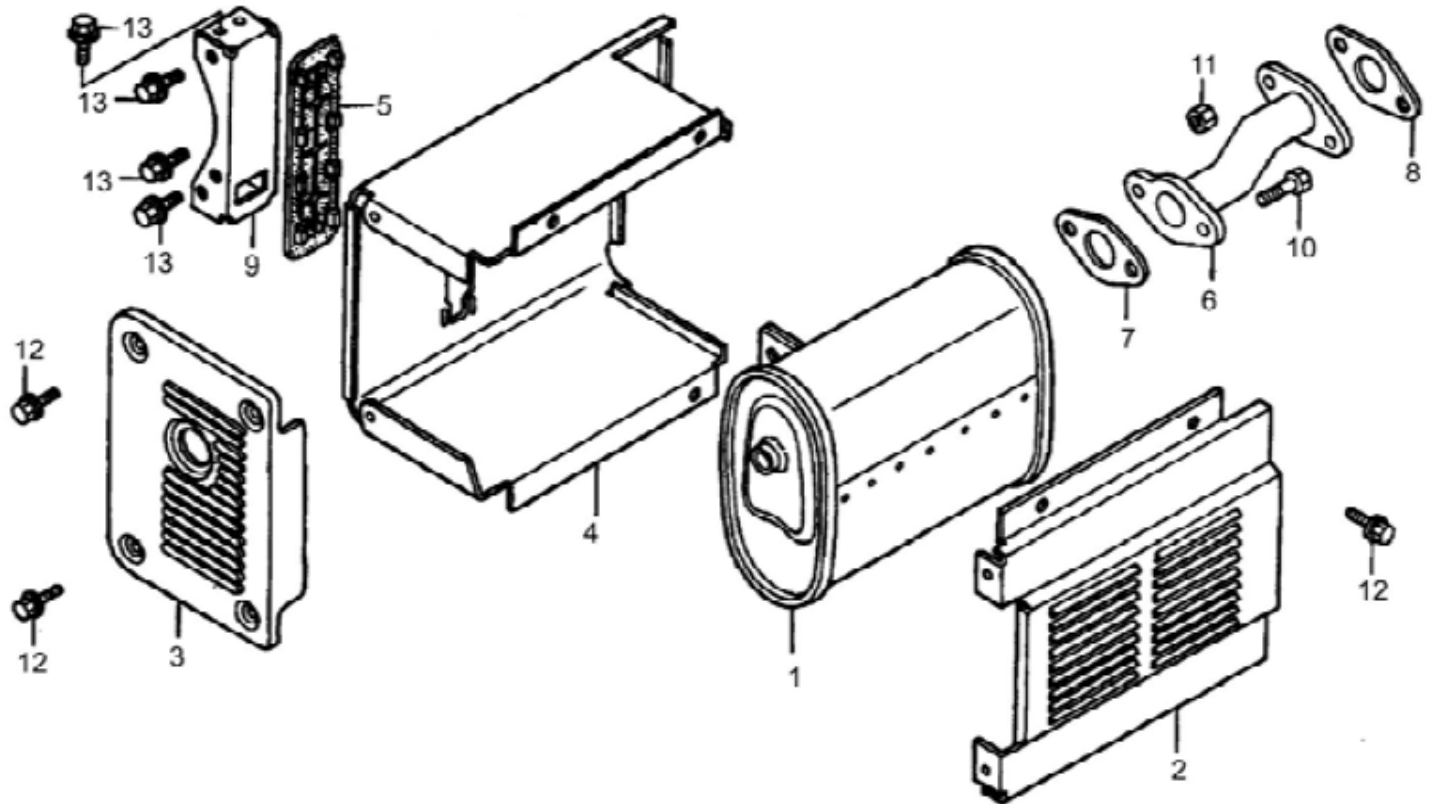
| ITEM | PART NO.      | DESCRIPTION            | QTY. |
|------|---------------|------------------------|------|
| 1    | 34510/182F    | IGNITION COIL          | 1    |
| 2    | 34310/173F    | SPARK PLUG CAP         | 1    |
| 3    | 32213/182F-AS | CLAMPER, CORD          | 1    |
| 4    | 11124/173F    | RUBBER RING, CRANKCASE | 1    |
| 5    | 31250/182F-AS | CHARGE COIL            | 1    |
| 6    | 34410/182F    | EXTINGUISHING CABLE    | 1    |
| 7    | 32212/173F    | CABLE TIE              | 1    |
| 8    | GB5787-86     | BOLT M6 X 12           | 1    |
| 9    | GB5787-86     | BOLT M6 X 35           | 2    |
| 10   | GB5787-86     | BOLT M6 X 30           | 2    |
| 11   | 34500/182F    | IGNITION COIL UNIT     | 1    |

**AIR CLEANER ASSY  
FIGURA 11/TABLA 11**



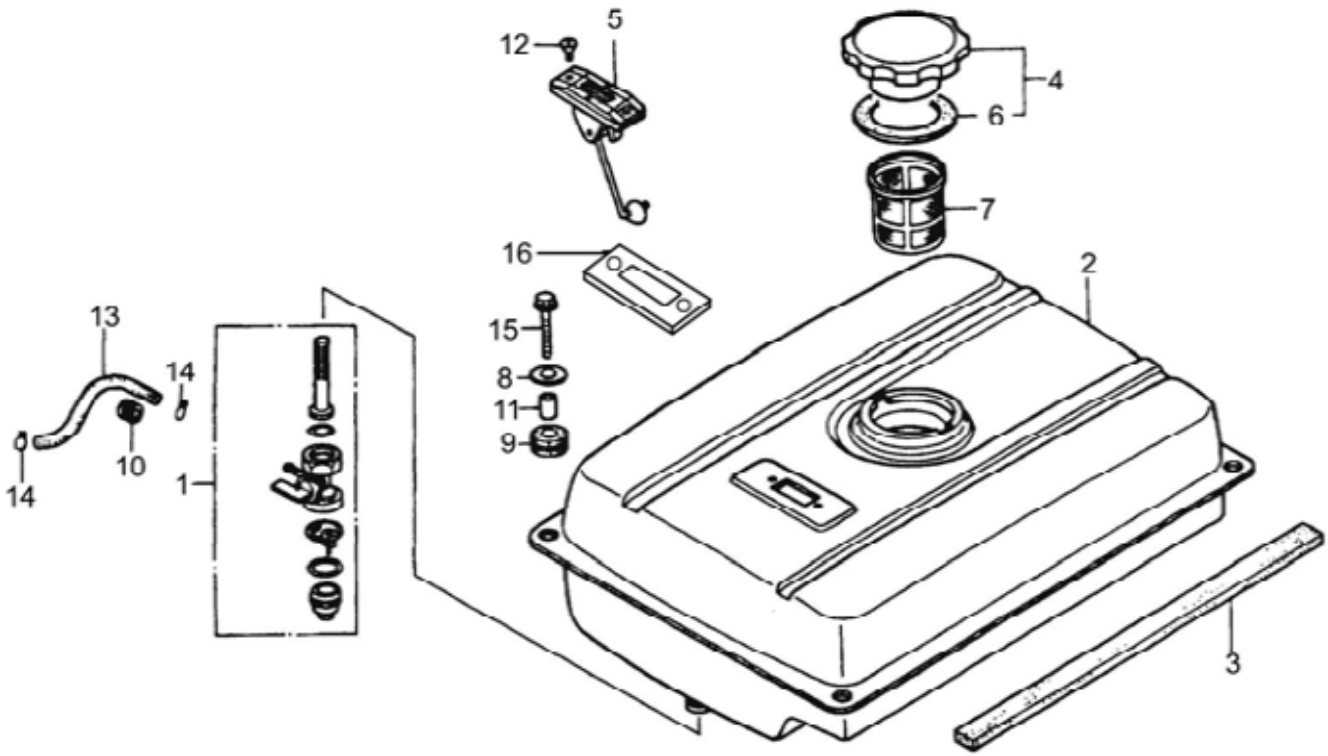
| ITEM | PART NO.       | DESCRIPTION              | QTY. |
|------|----------------|--------------------------|------|
| 1    | 20651/173F-AV  | AIR DUCK                 | 1    |
| 2    | 17330/173F-AV  | GASKET, AIR CLEANER      | 1    |
| 3    | 17132/173F-AV  | FILTER ELEMENT           | 1    |
| 4    | 17183/173F     | RETAINER, FILTER ELEMENT | 1    |
| 5    | 17141/173F-AV  | AIR CLEANER CASE         | 1    |
| 6    | 17171/4GF-3    | AIR CLEANER STAY         | 1    |
| 7    | 17110/173F-AV  | AIR CLEANER COVER        | 1    |
| 8    | AC-NUT/182F-AV | AIR CLEANER NUT          | 2    |
| 9    | 17145/173F-AV  | GASKET                   | 1    |
| 10   | 20652/173F-AV  | BOOT, VENT PIPE          | 1    |
| 11   | GB6177-86      | NUT M5                   | 6    |
| 12   | GB6177-86      | NUT M6                   | 1    |
| 13   | 17100/173F-AV  | AIR CLEANER ASSY         | 1    |

**MUFFLER ASSY**  
**FIGURA 12/TABLA 12**



| ITEM | PART NO.      | DESCRIPTION          | QTY. |
|------|---------------|----------------------|------|
| 1    | 18300/188F-AV | MUFFLER              | 1    |
| 2    | 18620/2.8GF-3 | OUTER HOOD           | 1    |
| 3    | 18631/2.8GF-3 | SIDE HOOD            | 1    |
| 4    | 18610/5GF-3   | INNER HOOD           | 1    |
| 5    | 18615/2.8GF-3 | GASKET, INNER HOOD   | 1    |
| 6    | 18111/182F-AV | EXHAUST PIPE         | 1    |
| 7    | 18221/173F-AV | GASKET, EXHAUST PIPE | 1    |
| 8    | 12255/173F    | GASKET, OUTLET       | 1    |
| 9    | 18710/2.8GF-3 | MUFFLER STAY         | 1    |
| 10   | GB5787-86     | FLANGE BOLT M8 X 25  | 2    |
| 11   | GB6187-86     | NUT M8               | 2    |
| 12   | GB5787-86     | FLANGE BOLT M6 X 12  | 7    |
| 13   | GB5787-86     | FLANGE BOLT M8 X 16  | 4    |

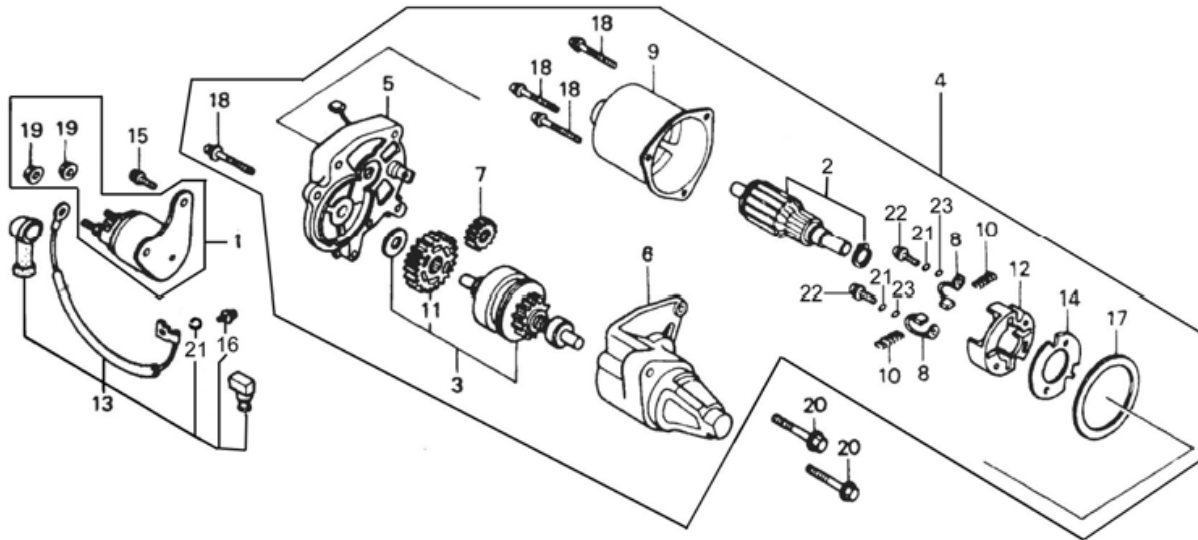
**FUEL TANK ASSY  
FIGURA 13/TABLA 13**



| ITEM | PART NO.      | DESCRIPTION                    | QTY. |
|------|---------------|--------------------------------|------|
| 1    | 16930/2GF-3   | FUEL COCK                      | 1    |
| 2    | 16610/2.8GF-3 | FUEL TANK                      | 1    |
| 3    | 16812/2.8GF-3 | STRIPE, FUEL TANK              | 1    |
| 4    | 16500/2GF-3   | FUEL FILLER CAP COMP.          | 1    |
| 5    | 37820/2GF-3   | FUEL SENSOR                    | 1    |
| 6    | 16521/2GF-3   | PACKING RING                   | 1    |
| 7    | 16916/2GF-3   | FUEL FILLER                    | 1    |
| 8    | 16821/2GF-3   | WASHER                         | 4    |
| 9    | 16811/2GF-3   | CUSHION                        | 4    |
| 10   | 16933/2.8GF-3 | GROMMET                        | 1    |
| 11   | 16824/2GF-3   | FITTING BRUSH, FUEL TANK       | 4    |
| 12   | GB819-85      | SCREW M5 X 10                  | 2    |
| 13   | 16931/2.8GF-3 | OUTLET PIPE (Φ 9 X Φ 4.5 X160) | 1    |
| 14   | 16937/168F    | TUBE CLIP                      | 2    |
| 15   | GB5787-86     | FLANGE BOLT M6 X 22            | 4    |
| 16   | 37825/2GF-3   | GASKET, FUEL SENSOR            | 1    |

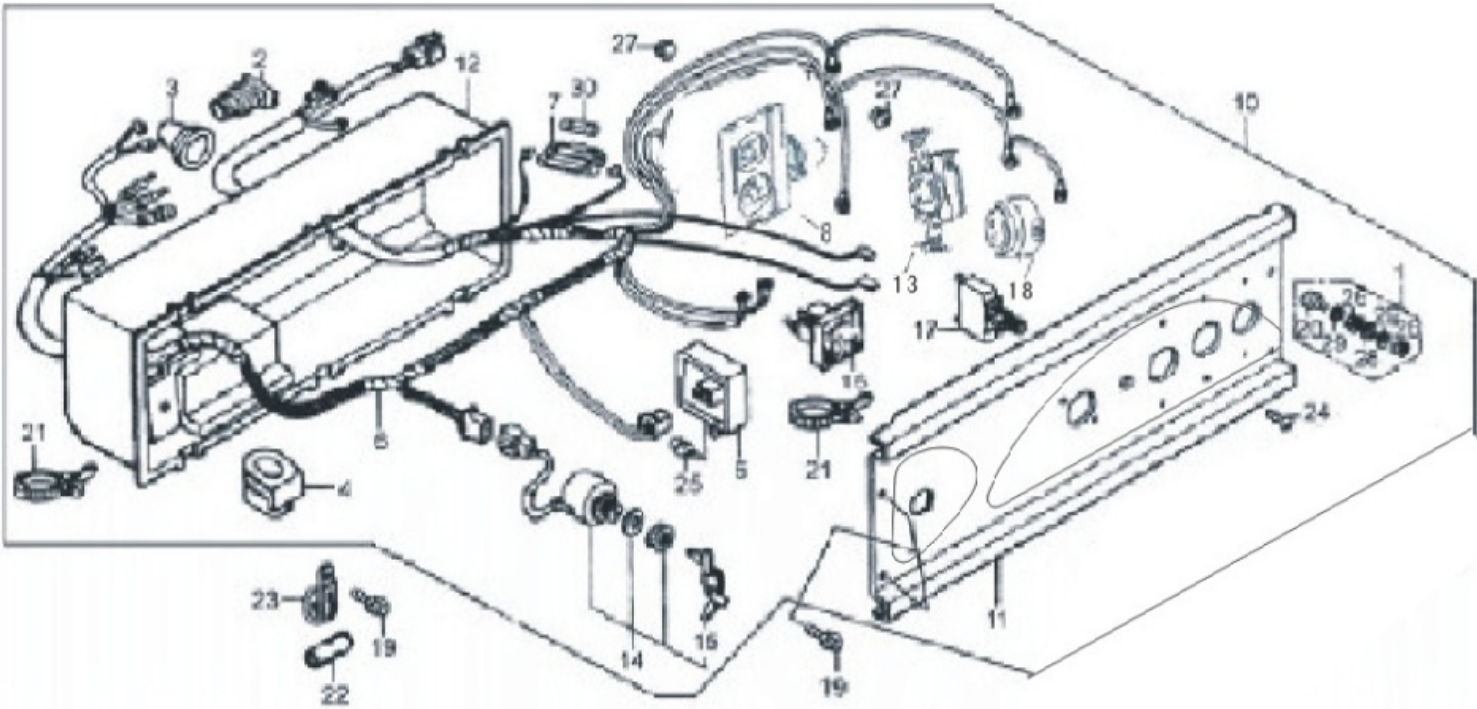


**STARTING MOTOR ASSY  
FIGURA 14/TABLA 14**

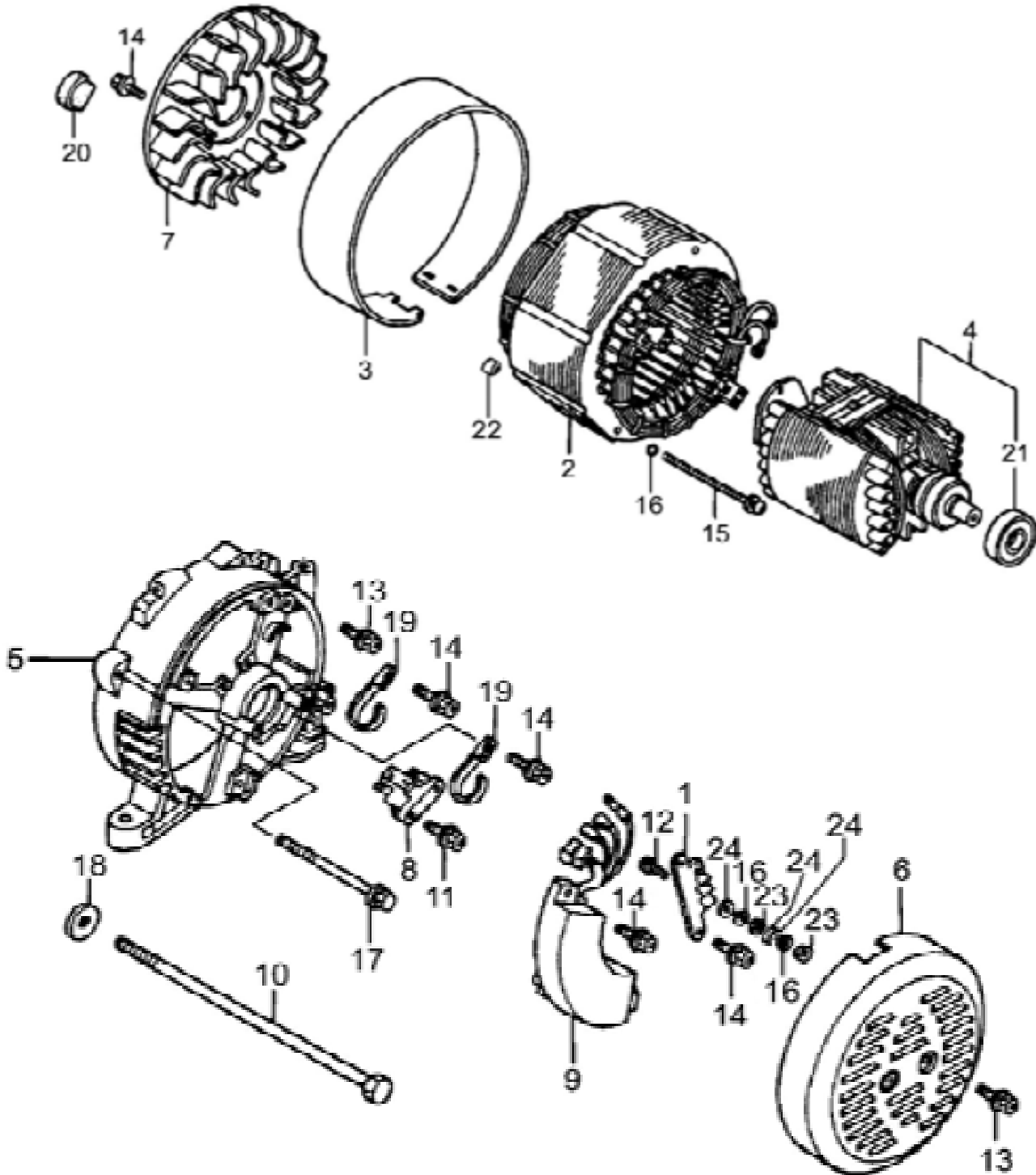


| ITEM | PART NO.      | DESCRIPTION              | QTY. |
|------|---------------|--------------------------|------|
| 1    | 38200/182F-AS | RELAY, START-UP          | 1    |
| 2    | 28610/182F-AS | ROTOR COMP.              | 1    |
| 3    | 28100/182F-AS | STARTING CLUTCH          | 1    |
| 4    | 28000/182F-AS | STARTING MOTOR ASSY      | 1    |
| 5    | 28650/182F-AS | BASE, STARTING           | 1    |
| 6    | 28110/182F-AS | HOUSING, STARTING CLOUCH | 1    |
| 7    | 28311/182F-AS | DRIVEN GEAR              | 1    |
| 8    | 28630/182F-AS | BRUSH COMP.              | 4    |
| 9    | 28620/182F-AS | STATOR ASSY              | 1    |
| 10   | 28631/182F-AS | SPRING, BRUCH            | 4    |
| 11   | 28321/182F-AS | REDUCING GEAR            | 1    |
| 12   | 28641/182F-AS | STAY, BRUSH              | 1    |
| 13   | 32160/182F-AS | CABLE, STARING MOTOR     | 1    |
| 14   | 28632/182F-AS | INSULATOR                | 1    |
| 15   | 31996/2GF-3   | BOLT M5 X 14             | 2    |
| 16   | GB818/85      | SCREW M4 X 6             | 1    |
| 17   | 28651/182F-AS | PACKING RING             | 1    |
| 18   | GB818-85      | SCREW M5 X 32            | 4    |
| 19   | GB6170-86     | NUT M6                   | 2    |
| 20   | GB5787-86     | BOLT M8 X 35             | 2    |
| 21   | GB93-87       | SPRING WASHER 4 mm       | 3    |
| 22   | GB818-85      | SCREW M4 X 14            | 2    |
| 23   | GB97.1-85     | WASHER 4 mm              | 2    |

**CONTROL PANEL  
FIGURA 15**

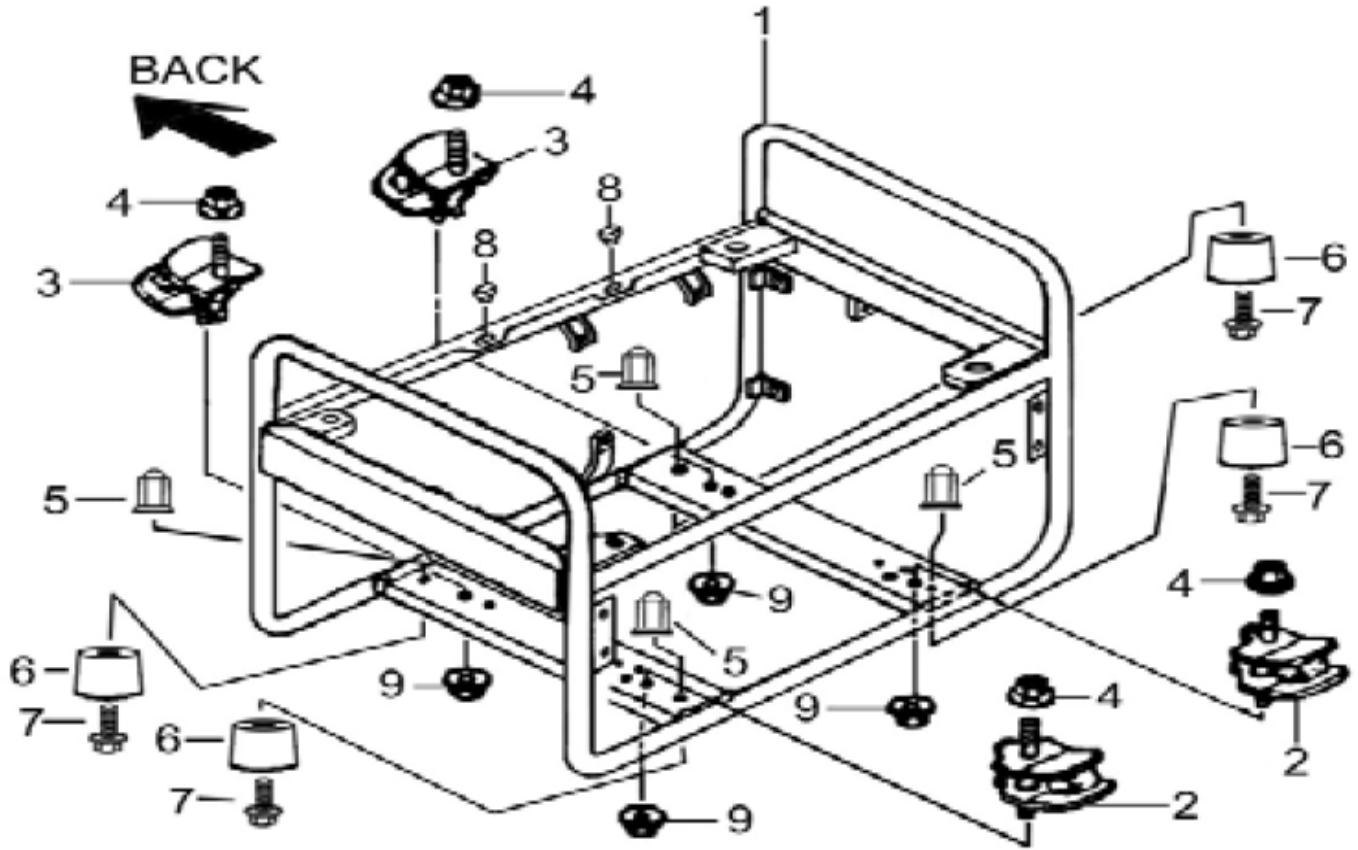


| ITEM | PART NO.      | DESCRIPTION             | QTY. |
|------|---------------|-------------------------|------|
| 1    | 32520/2GF-3   | EARTH TERMINAL SET      | 1    |
| 2    | 32115/2.8GF-3 | BOOT, AC OUTPUT WIRE    | 1    |
| 3    | 32116/2.8GF-3 | BOOT, MAIN WIRE HARNESS | 1    |
| 4    | 32314/2.8GF-3 | BOOT, SWITH WIRE        | 1    |
| 5    | 37470/4GF-4   | DIODE ASSY              | 1    |
| 6    | 32100         | MAIN WIRE HARNESS ASSY  | 1    |
| 7    | 31720/4GF-4   | FUSE CASE               | 1    |
| 8    | 35550/10000E  | CONSENT (20 A)          | 2    |
| 9    | GB5787-86     | BOLT M4 X 10            | 6    |
| 10   | 37300         | CONTROL PANEL ASSY      | 1    |
| 11   | 37310/4GF-4   | CONTROL PANEL           | 1    |
| 12   | 37321/2.8GF-3 | CONTROL PANEL CASE      | 1    |
| 13   | 35510/2GF-3   | CONSENT (30 A)          | 1    |
| 14   | 35410/182F-AS | IGNITION SWITCH         | 1    |
| 15   | 35411/182F-AS | KEY                     | 2    |
| 16   | 37420/2GF-3   | VOLTMETER               | 1    |
| 17   | 31710/5GF-3   | CIRCUIT PROTECTOR,23 A  | 1    |
| 18   | 35510/2GF-3   | CONSENT (30 A)          | 1    |
| 19   | GB5787-86     | BOLT M6 X 12            | 5    |
| 20   | GB5787-86     | BOLT M6 X 20            | 1    |
| 21   | 32214/2.8GF-3 | WIRE CLAMP              | 3    |
| 22   | 32412/173F    | WIRE GROMMET            | 1    |
| 23   | 32413/173F    | WIRE CLAMP              | 1    |
| 24   | GB818-85      | SCREW M4 X 10           | 4    |
| 25   | GB818-85      | SCREW M4 X 12           | 1    |
| 26   | GB6170-86     | NUT M6                  | 2    |
| 27   | GB6170-86     | NUT M4                  | 4    |
| 28   | GB97.1-85     | FLAT WASHER 6 mm        | 1    |
| 29   | GB93-87       | SPRING WASHER 6 mm      | 2    |
| 30   | 31730/4GF-4   | FUSE (10 A)             | 1    |



| ITEM | PART NO.      | DESCRIPTION         | QTY. |
|------|---------------|---------------------|------|
| 1    | 31415/2.8GF-3 | CONNECTING PLATE    | 1    |
| 2    | 31200/5GF-3   | STATOR ASSY         | 1    |
| 3    | 31936/5GF-3   | STATOR COVER        | 1    |
| 4    | 31100/5GF-3   | ROTOR ASSY          | 1    |
| 5    | 31411/2.8GF-3 | GENERATOR STAY      | 1    |
| 6    | 31938/2.8GF-3 | GENERATOR END COVER | 1    |
| 7    | 31141/2.8GF-3 | GENERATOR FAN       | 1    |
| 8    | 31370/2.8GF-3 | BRUSH ASSY          | 1    |
| 9    | 31600/5GF-3   | VOLTAGE REGULATOR   | 1    |
| 10   | 31933/5GF-3   | BOLT M10 X 265      | 1    |
| 11   | 31997/2.8GF-3 | SCREW M5 X 18       | 1    |
| 12   | GB5783-86     | BOLT M5 X 20        | 2    |
| 13   | 31995/2GF-3   | SCREW M5 X 12       | 3    |
| 14   | 31996/2GF-3   | SCREW M5 X 14       | 9    |
| 15   | 31414/5GF-3   | BOLT M5 X 213       | 2    |
| 16   | GB93-87       | SPRING WASHER 5 mm  | 6    |
| 17   | 31931/5GF-3   | BOLT M6 X 175       | 4    |
| 18   | 31134/2.8GF-3 | PLAIN WASHER        | 1    |
| 19   | 32216/2.8GF-3 | CLIP A              | 2    |
| 20   | 11325/2.8GF-3 | PLUG, SUMP          | 1    |
| 21   | GB276-94      | BEARING 6204-2ZN    | 1    |
| 22   | 31932/2.8GF-3 | NUT M5              | 2    |
| 23   | GB6170-86     | NUT M5              | 4    |
| 24   | GB97.1-85     | WASHER 5mm          | 6    |

**FRAME**  
**FIGURA 17/TABLA 17**



| ITEM | PART NO.      | DESCRIPTION       | QTY. |
|------|---------------|-------------------|------|
| 1    | 41100/5GF-3   | FRAME COMP.       | 1    |
| 2    | 41310/4GF-3   | BOTTOM RUBBER A   | 2    |
| 3    | 41320/2.8GF-3 | BOTTOM RUBBER B   | 2    |
| 4    | GB6177-86     | NUT M10           | 4    |
| 5    | GB802-88      | NUT M6            | 4    |
| 6    | 41350/2GF-3   | CUSHION, FRAME    | 4    |
| 7    | GB5787-86     | BOLT M6 X 12      | 4    |
| 8    | 41116/2GF-3   | RUBBER PAD, FRAME | 2    |
| 9    | GB6177-86     | NUT M8            | 4    |

# MPOWER

## MANUAL DE PARTES GENERADOR 6.5KW 6500



LADA SIN COSTO  
01.800.506.82.86

SÍGUENOS EN:

YouTube



[www.mpower.com.mx](http://www.mpower.com.mx)

Km 126.5 Carretera Federal México-Puebla, Momoxpan, Cholula, Puebla.  
MÉXICO. CP 72760